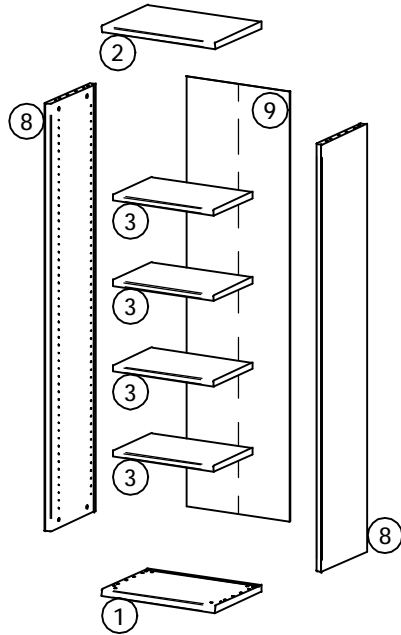
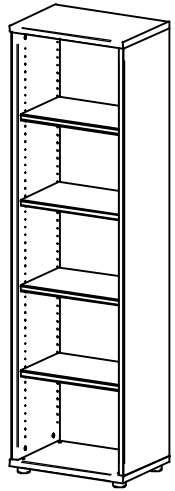
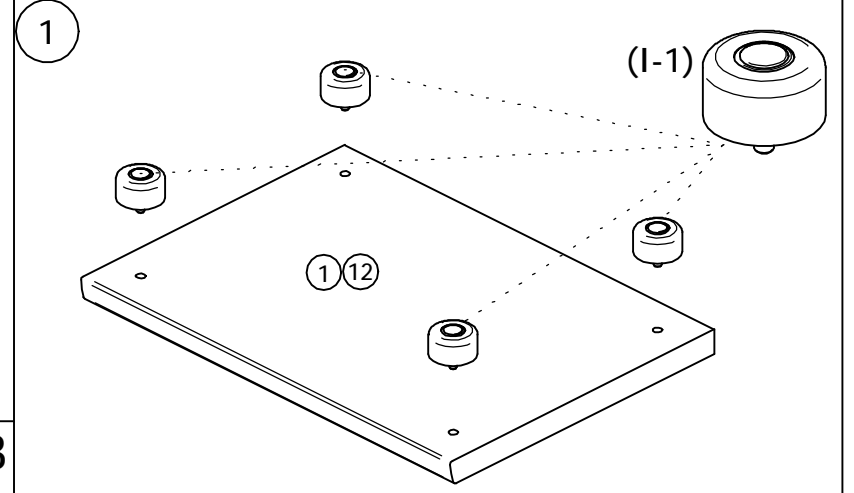
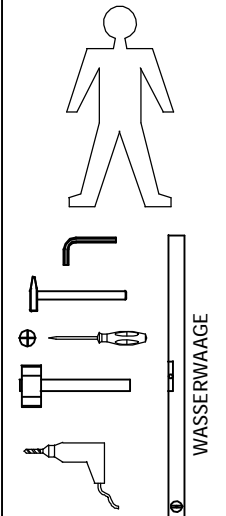


12/003-1

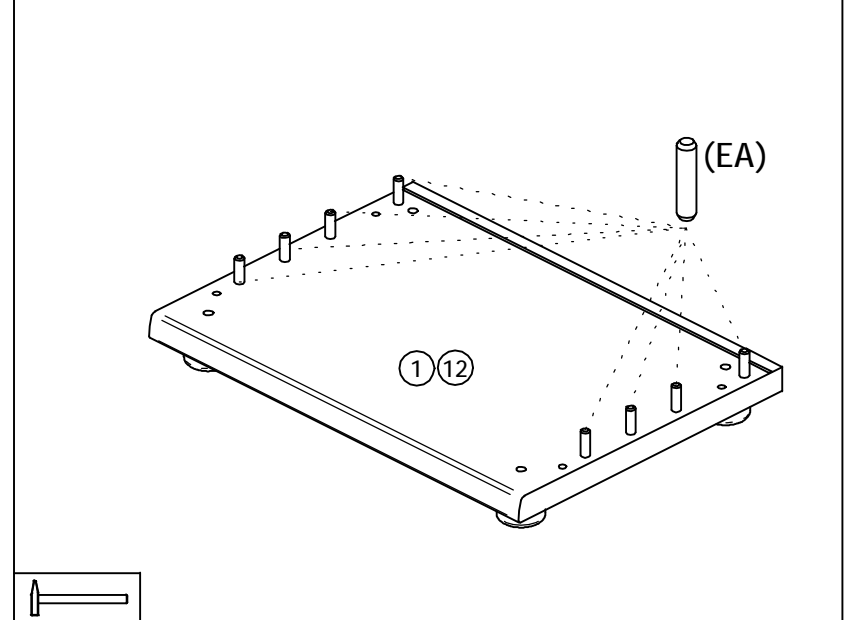
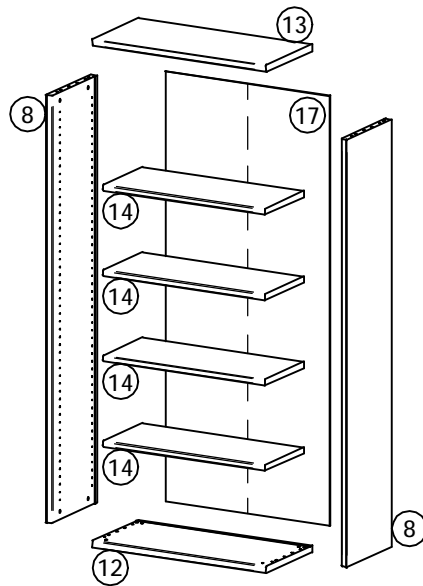
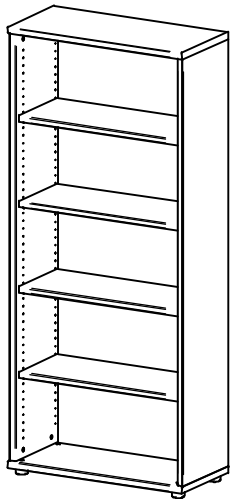
POINT 53

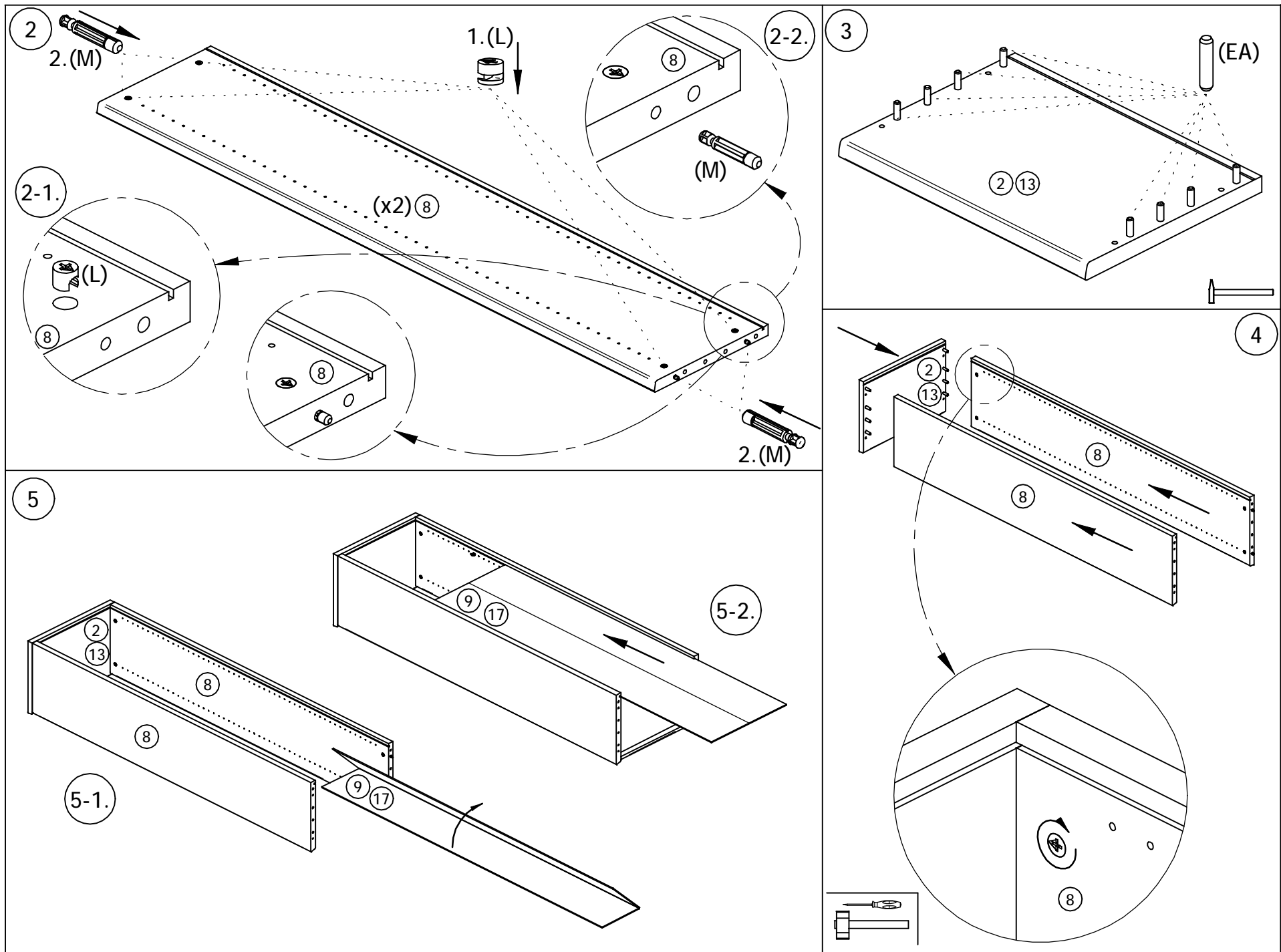


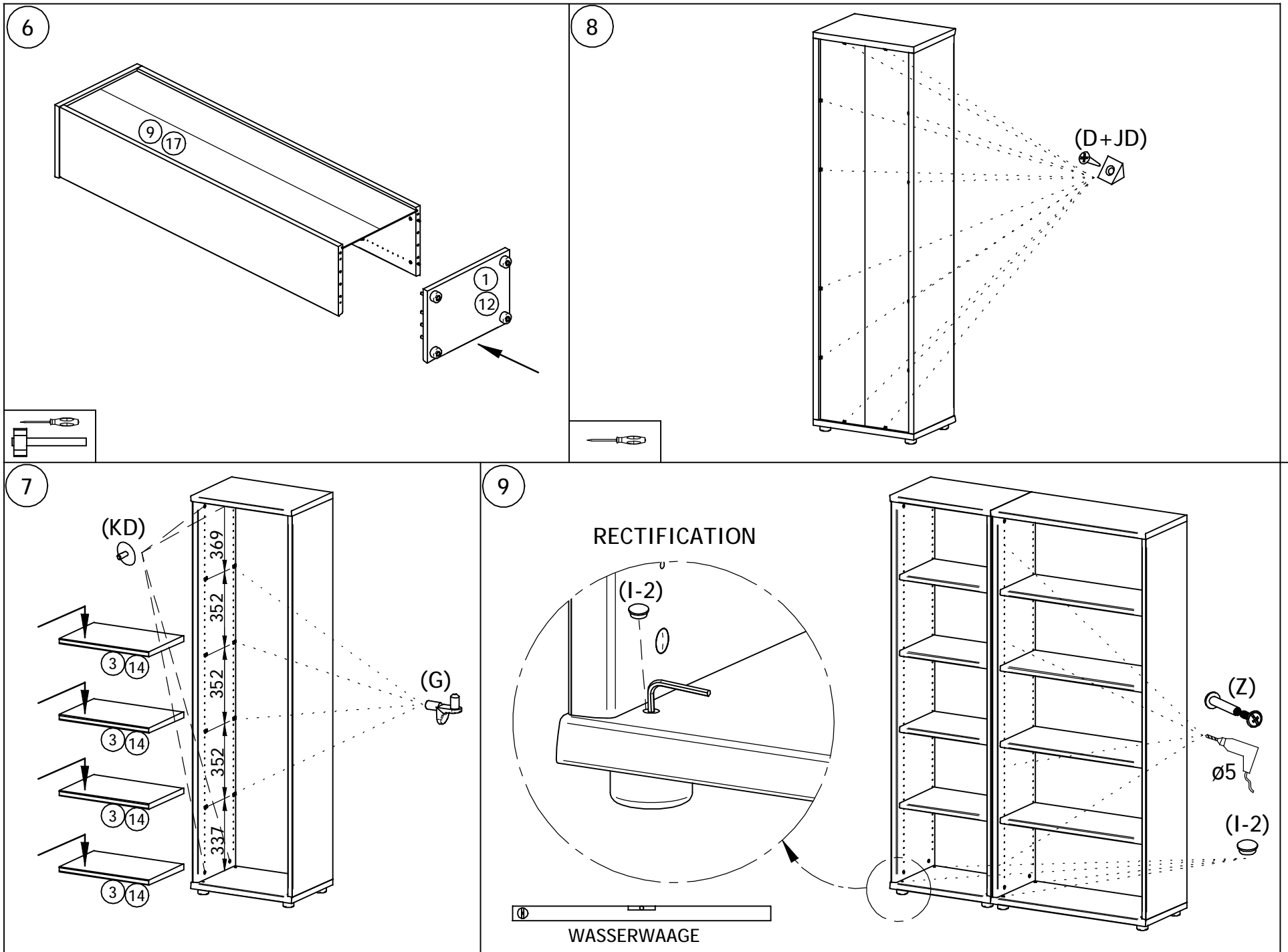
D	x12	EA	$\varnothing 10 \times 45$ x16	G	$\varnothing 5$ x16	I	x4
JD	$\varnothing 4 \times 25$ x12	L	$\varnothing 15$ x8	M	$\varnothing 8$ x8	Z	$\varnothing 5/2 \times 28$ x4
		KD	$\varnothing 15$ x8				



POINT 83

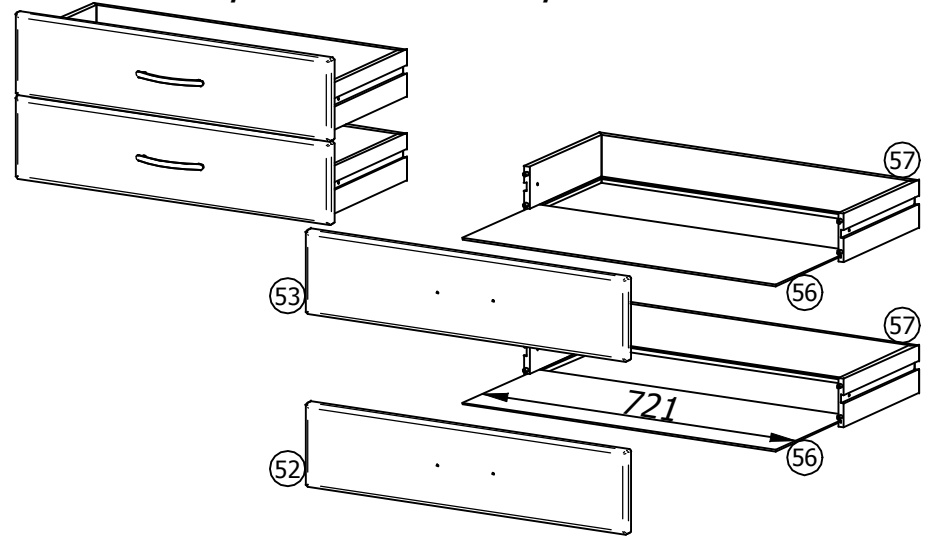
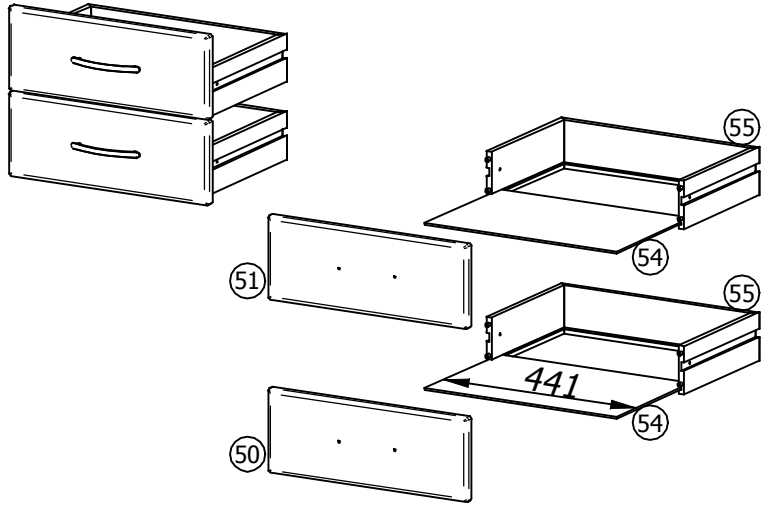






P1 S 5X / POINT S 5X / POINT PLUS S 5X

P1 S 8X / POINT S 8X / POINT PLUS S 8X



	OBERSCHUBKASTEN (51/53)		AA	x2 N	x4 X	S 5X-x4 S 8X-6x					
	UNTERSCHUBKASTEN (50/52)						O	∅6.3x11 x8	P	∅M4x10 x4	KE

