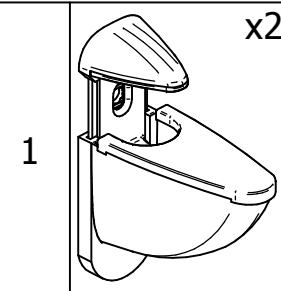
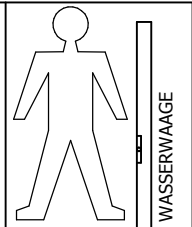
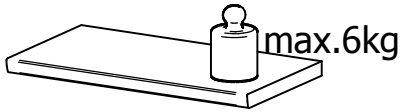
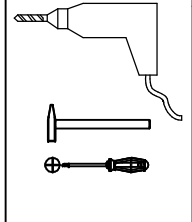
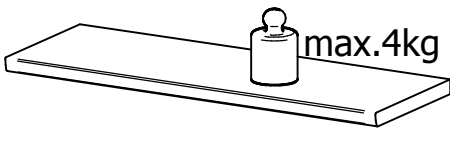


P1 B 528  
 POINT B 528  
 POINT PLUS B 528

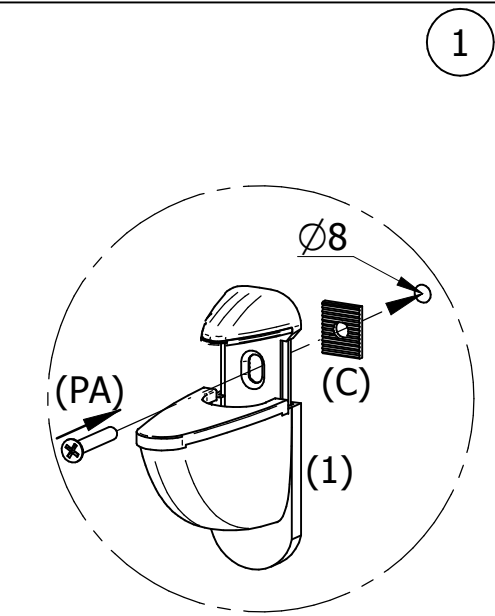
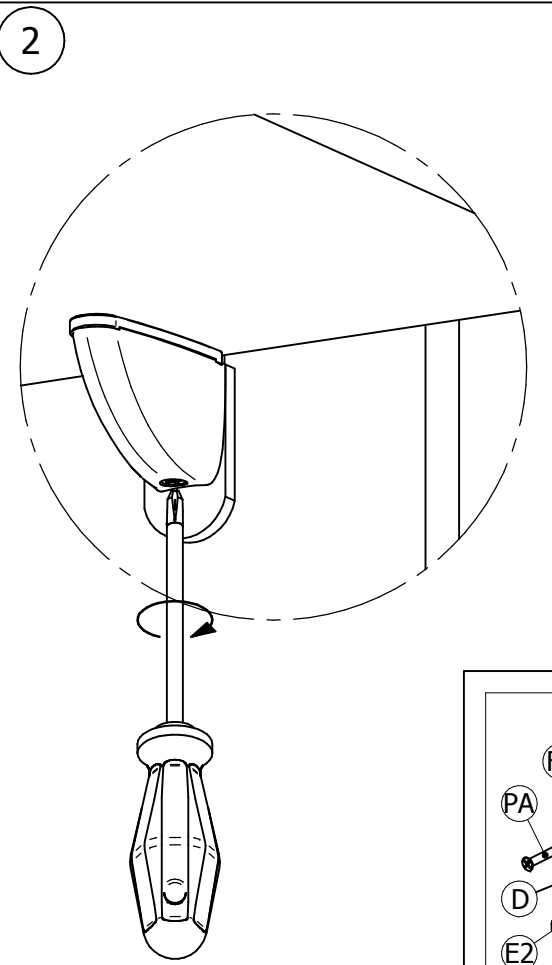
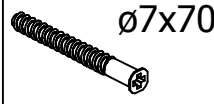


2

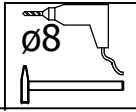
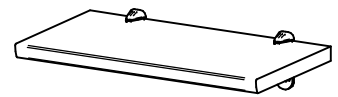
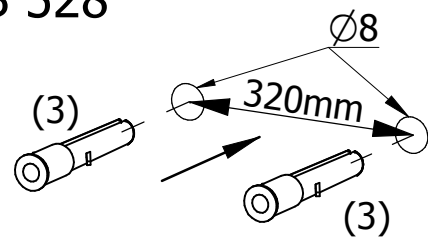
P1 B 528  
 POINT B 528  
 POINT PLUS B 528



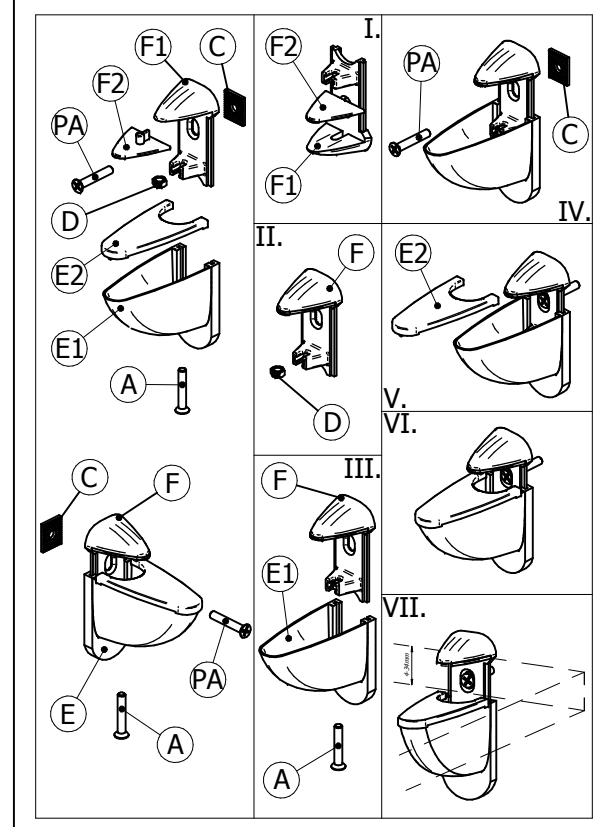
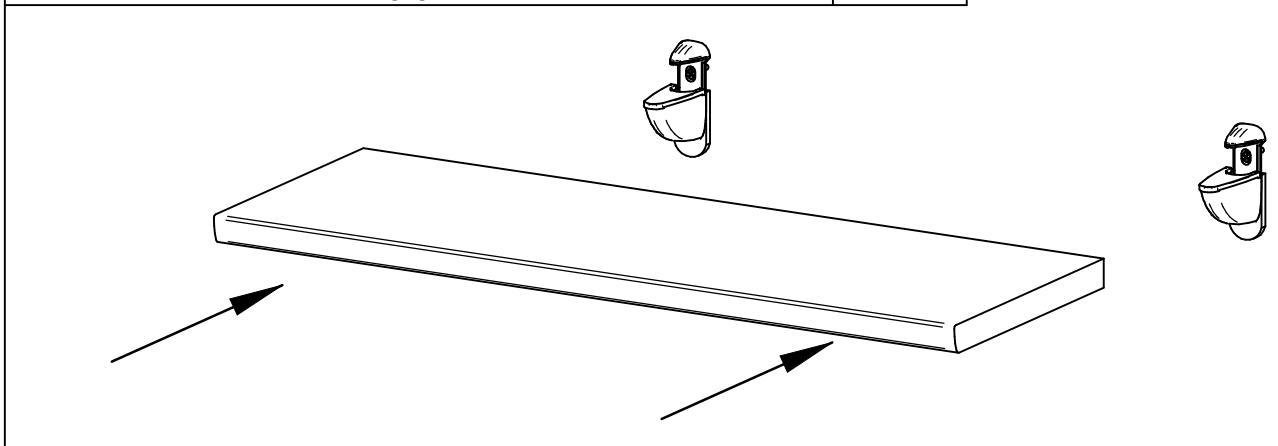
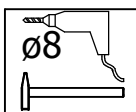
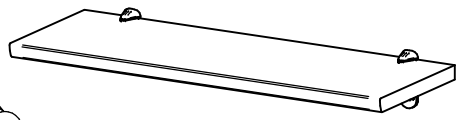
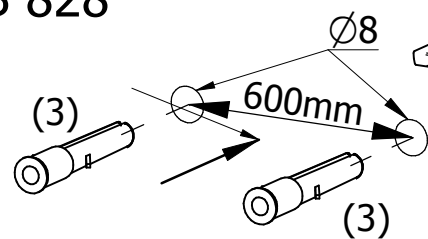
B 528-x3  
 B 828-x4  
 ø7x70



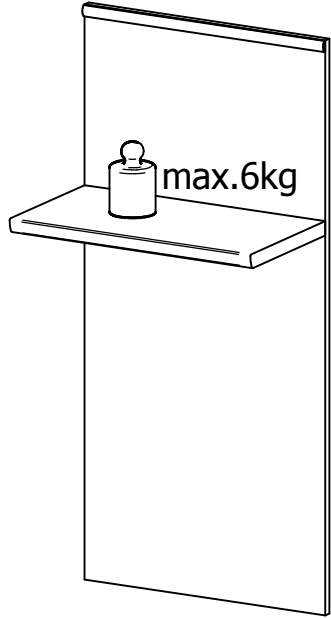
B 528



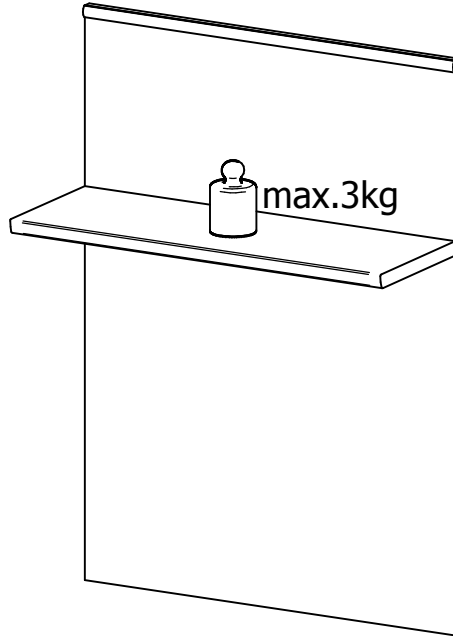
B 828



P1 P 5  
 P1 B 528  
 POINT P 5  
 POINT B 528

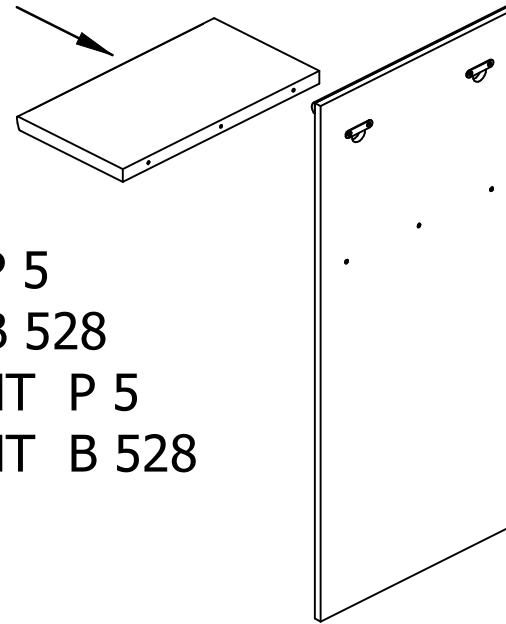


P1 P 8  
 P1 B 828  
 POINT P 8  
 POINT B 828



ALTERNATIVE II.

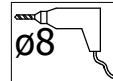
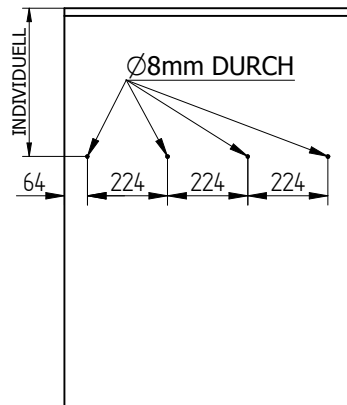
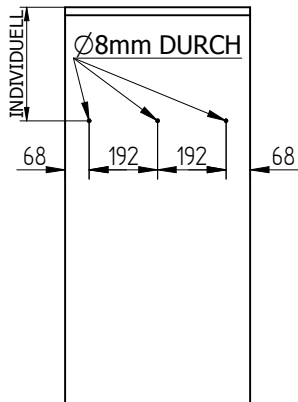
2



P1 P 5  
 P1 B 528  
 POINT P 5  
 POINT B 528

P1 P 8  
 P1 B 828  
 POINT P 8  
 POINT B 828

1



3

