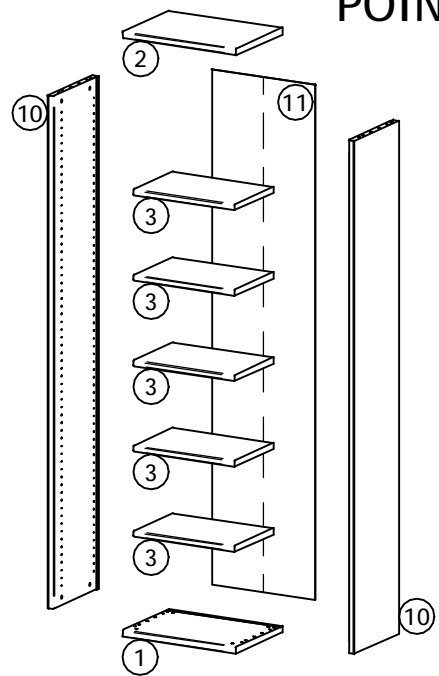
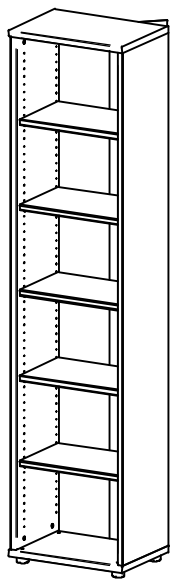
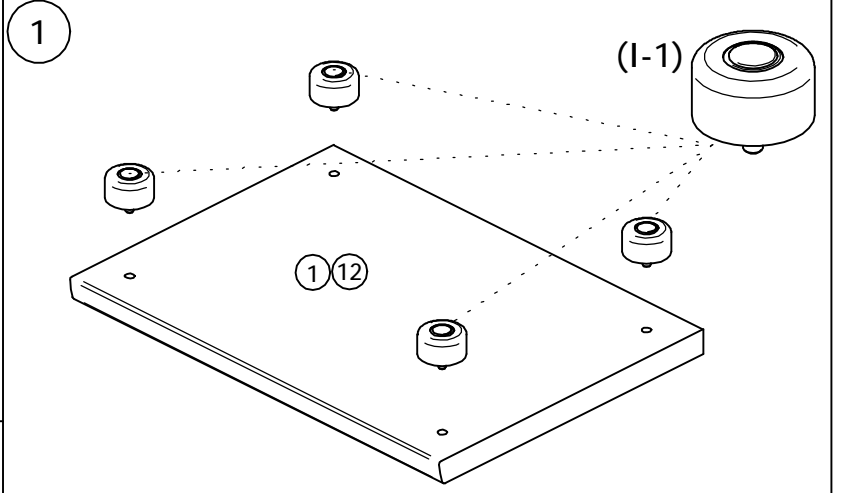
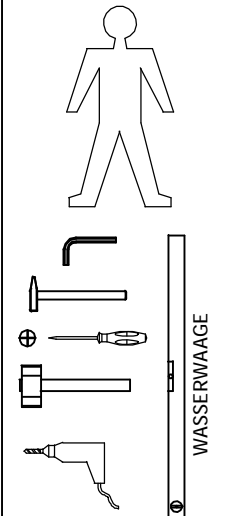


12/004-1

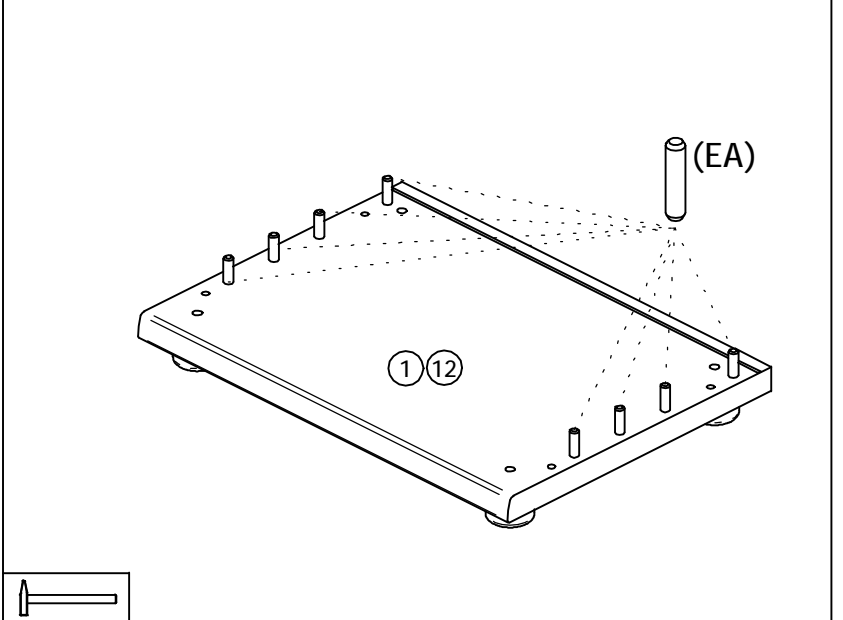
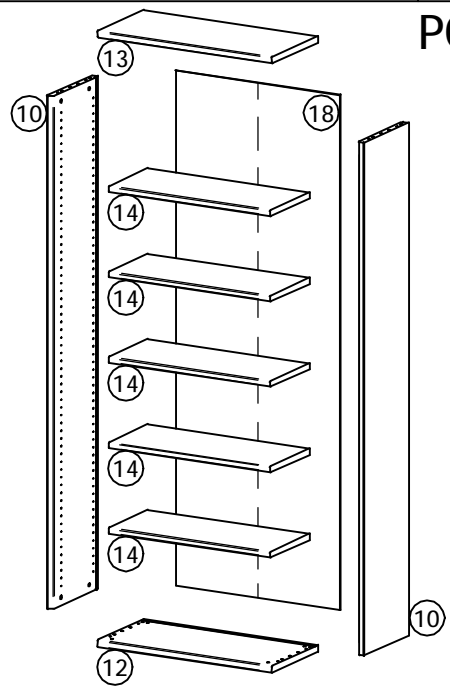
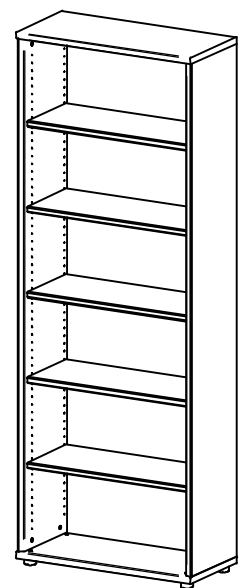
POINT 54

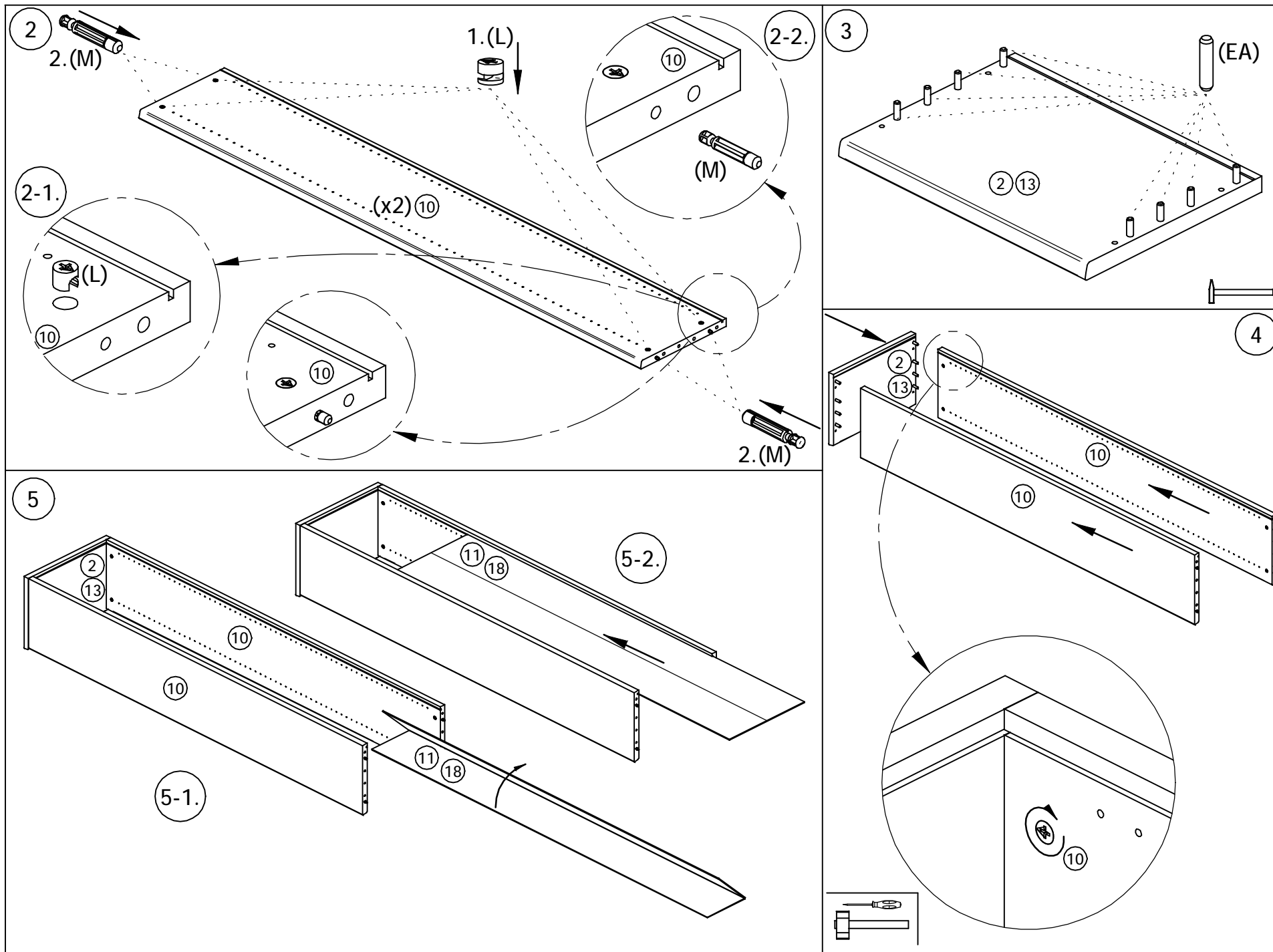


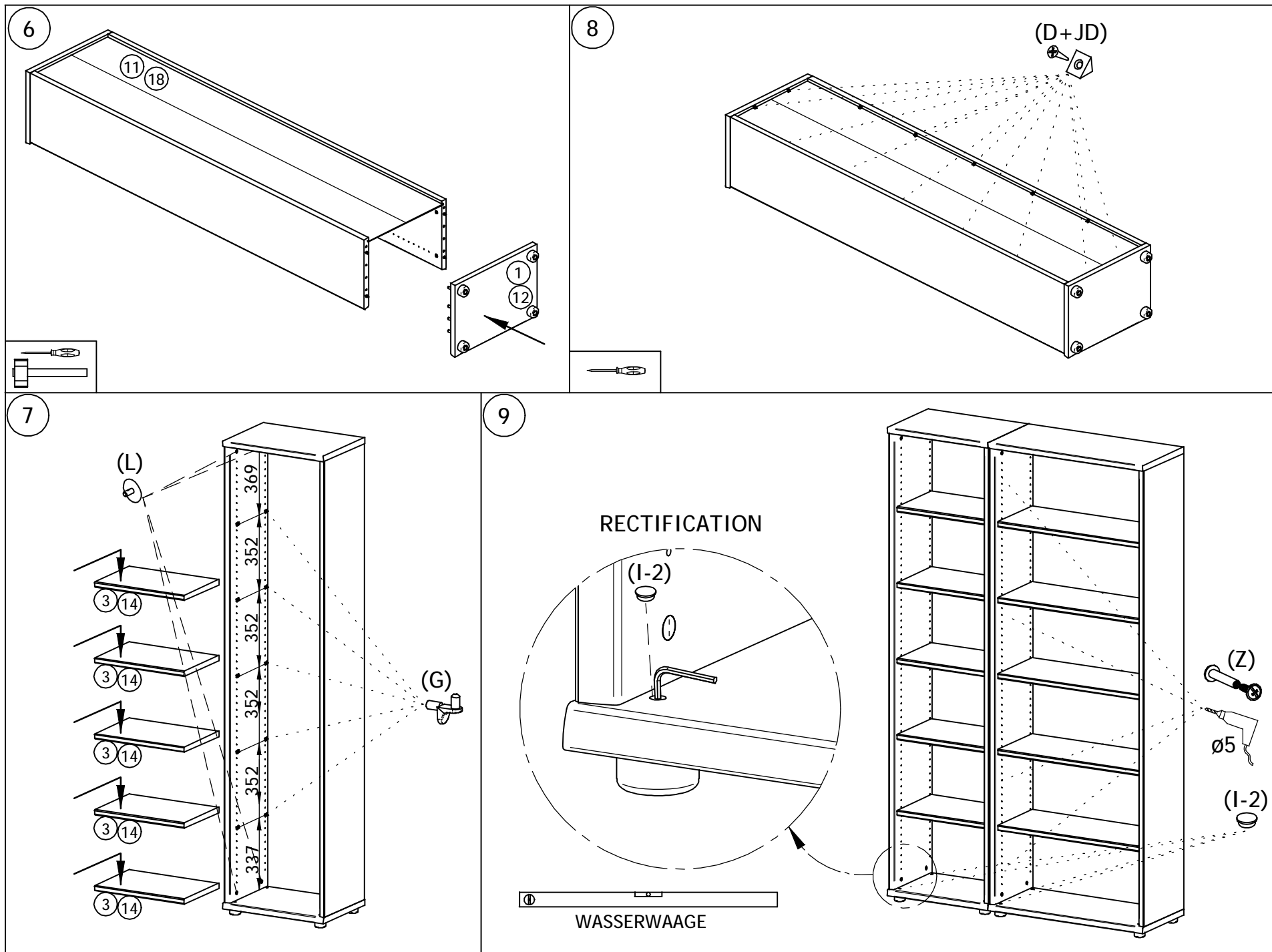
D	x14	EA	$\varnothing 10 \times 45$ x16	G	$\varnothing 5$ x20	I	x4
JD	$\varnothing 4 \times 25$ x14	L	$\varnothing 15$ x8	M	$\varnothing 8$ x8		
		KD	$\varnothing 15$ x8			Z	$\varnothing 5/2 \times 28$ x4



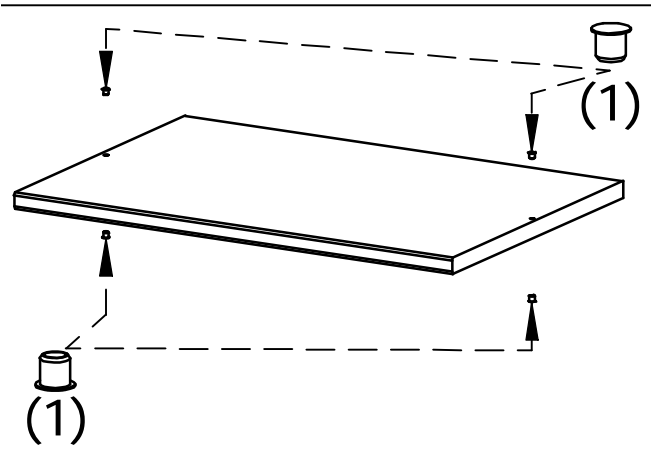
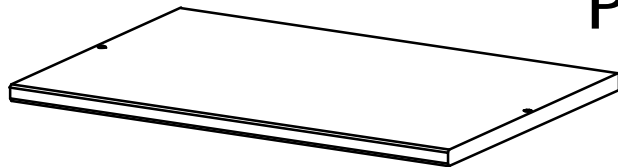
POINT 84





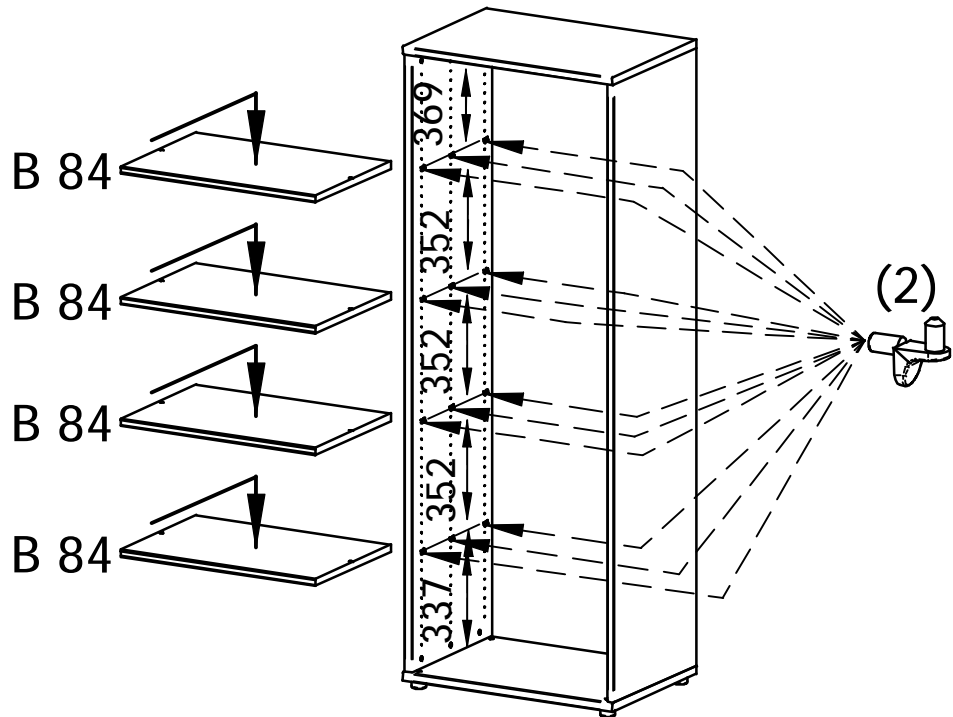




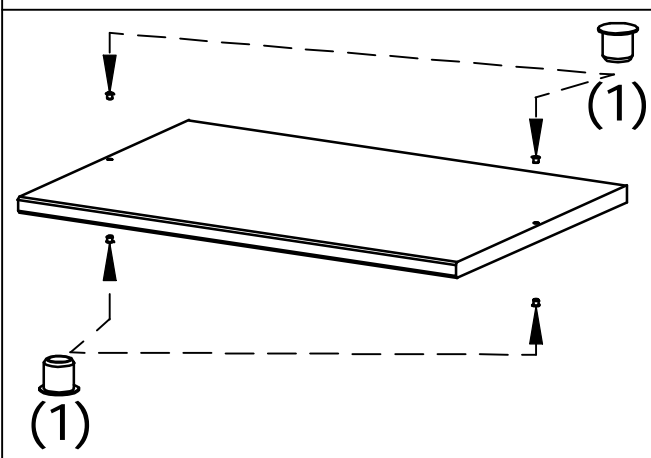
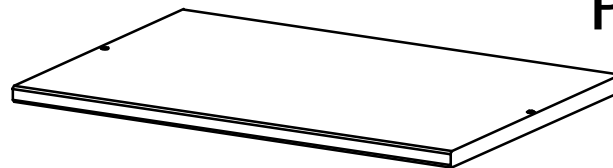
POINT B 84





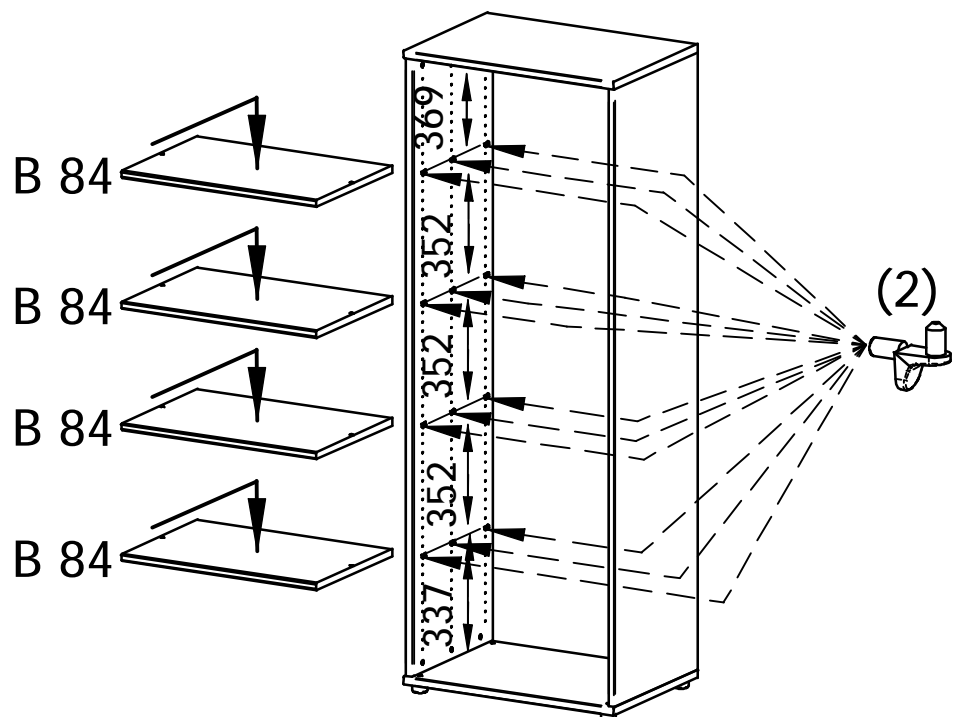
1		Ø8 x4
2		Ø5 x6



POINT B 84

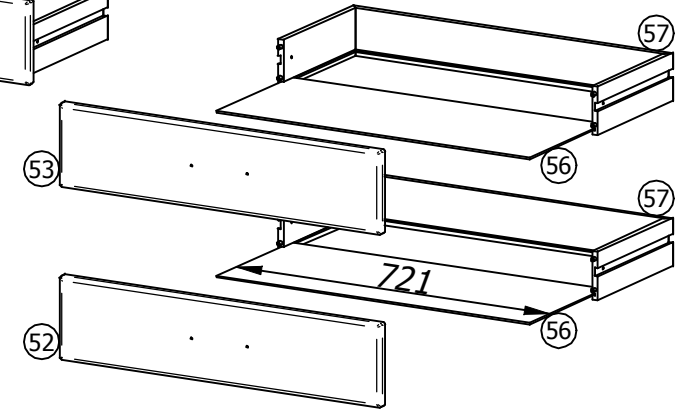
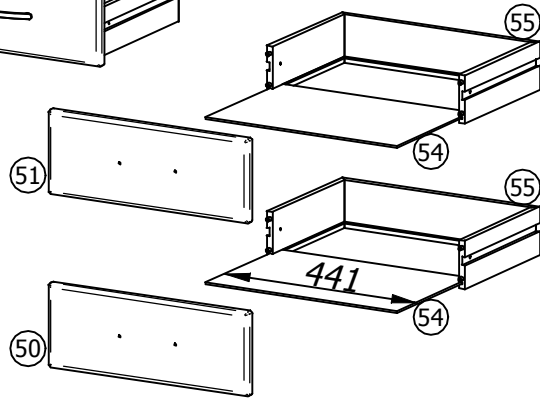
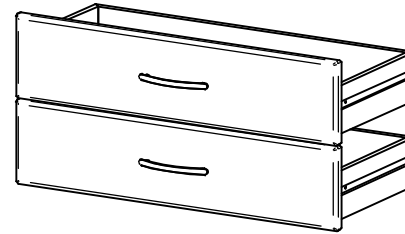
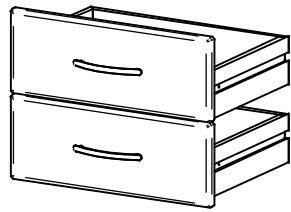


1		Ø8 x4
2		Ø5 x6



POINT S 5X

POINT S 8X



	OBERSCHUBKASTEN 	 AA	 x2	 x4	 x4	 x1	X	S 5X-x4 S 8X-6x
	UNTERSCHUBKASTEN 						O	 ø6.3x11 x8

1

2

3

4

