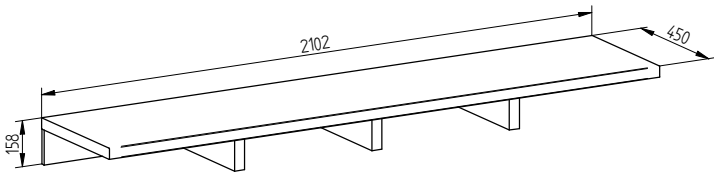
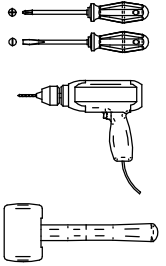
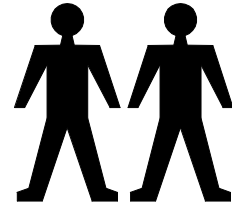


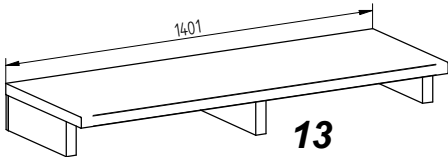
MANHATTAN

12,13,18

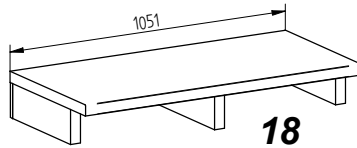
MN 146/03



12

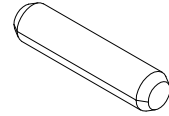


13



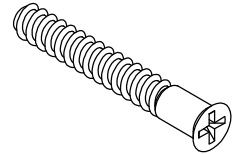
18

1



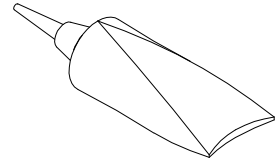
ø8x35
x16/12

2



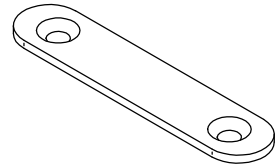
ø7x50
x6/4

3



x1

4

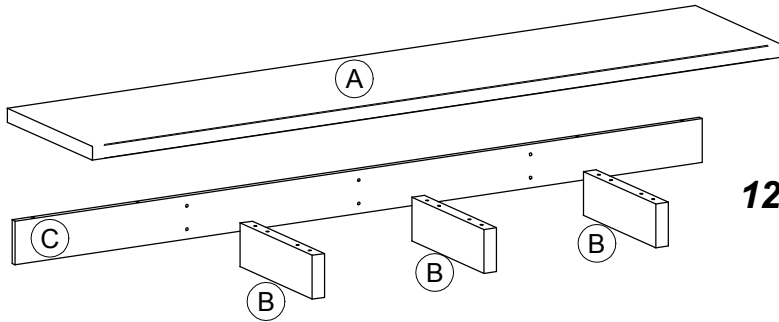


x3/2

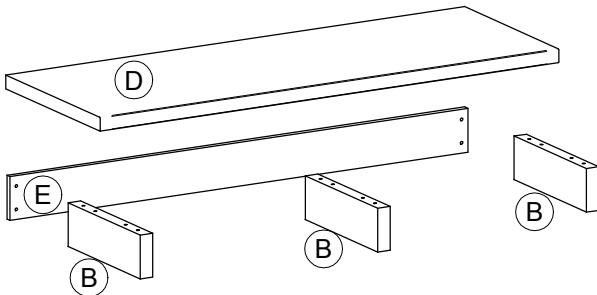
5



ø3,5x15
x6/4

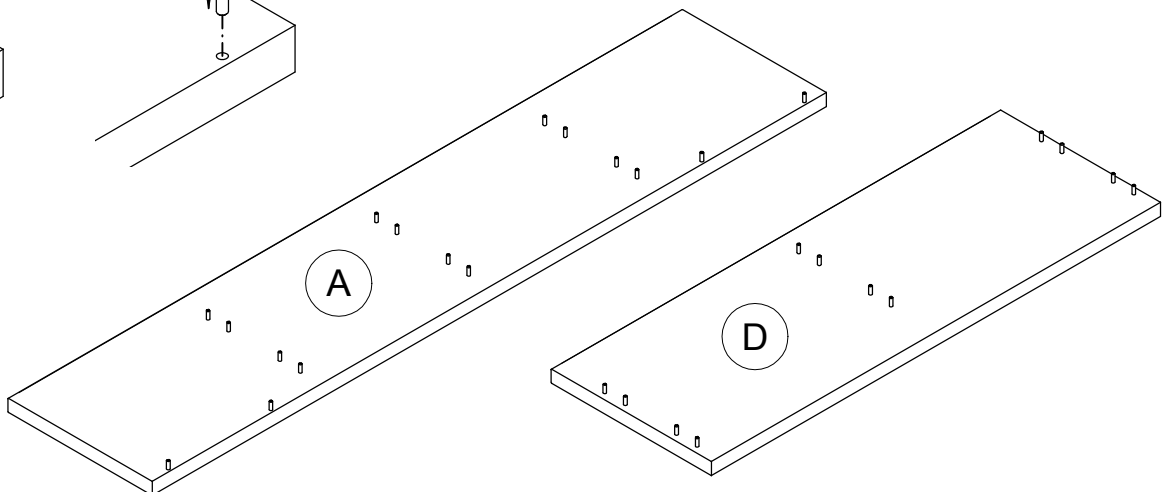
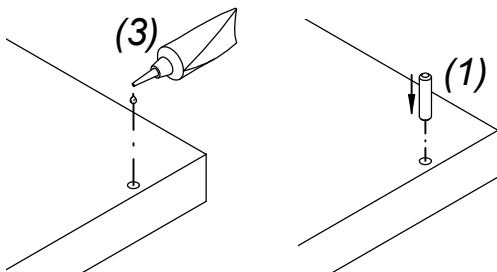


12

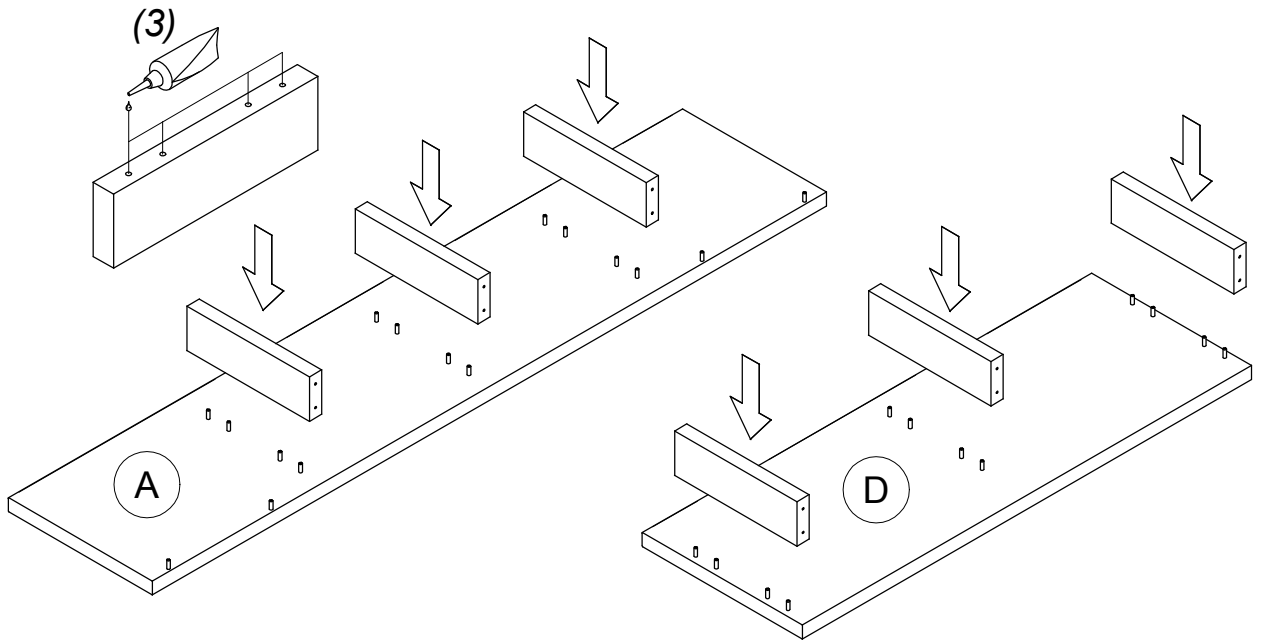


13 18

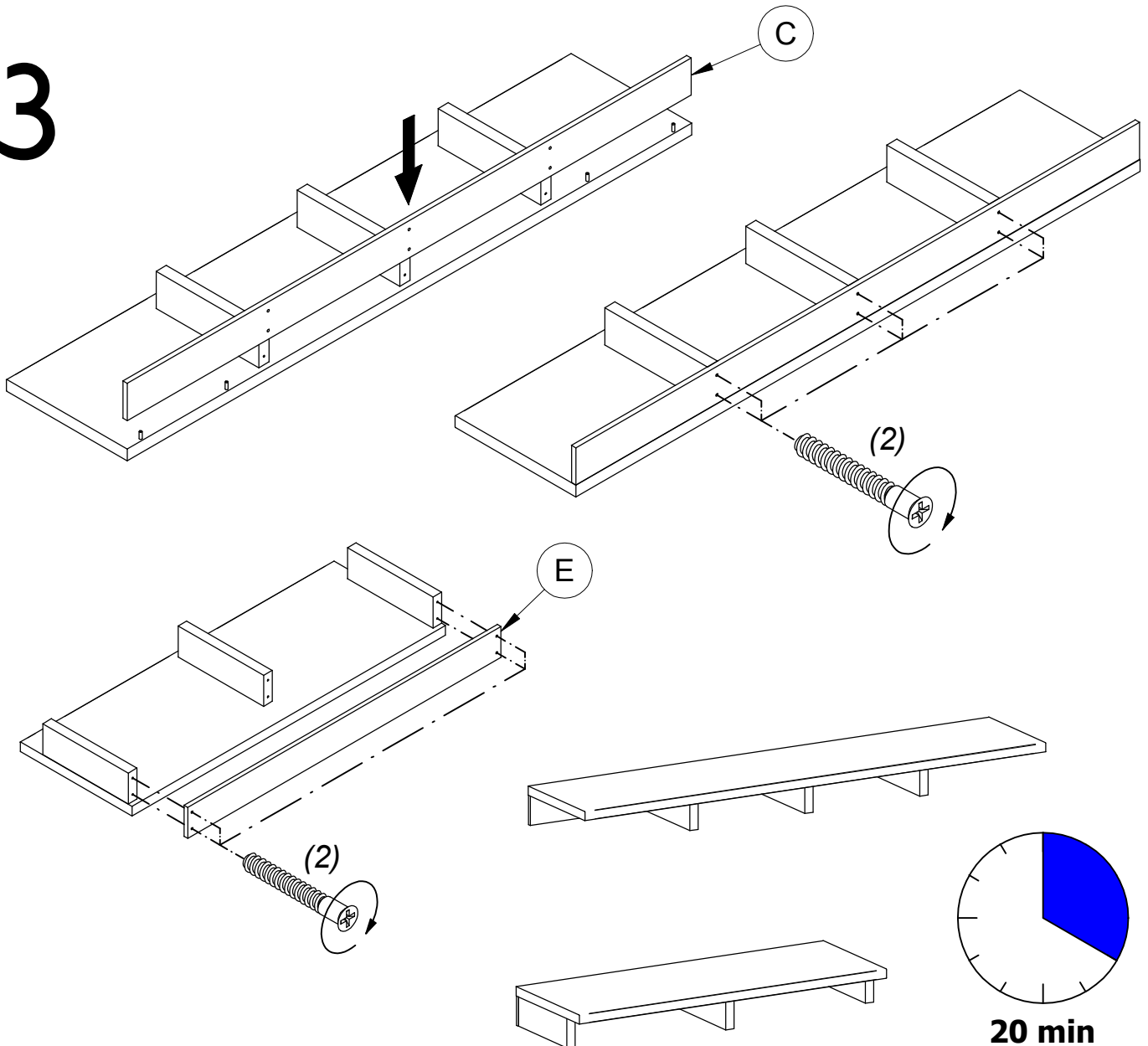
1



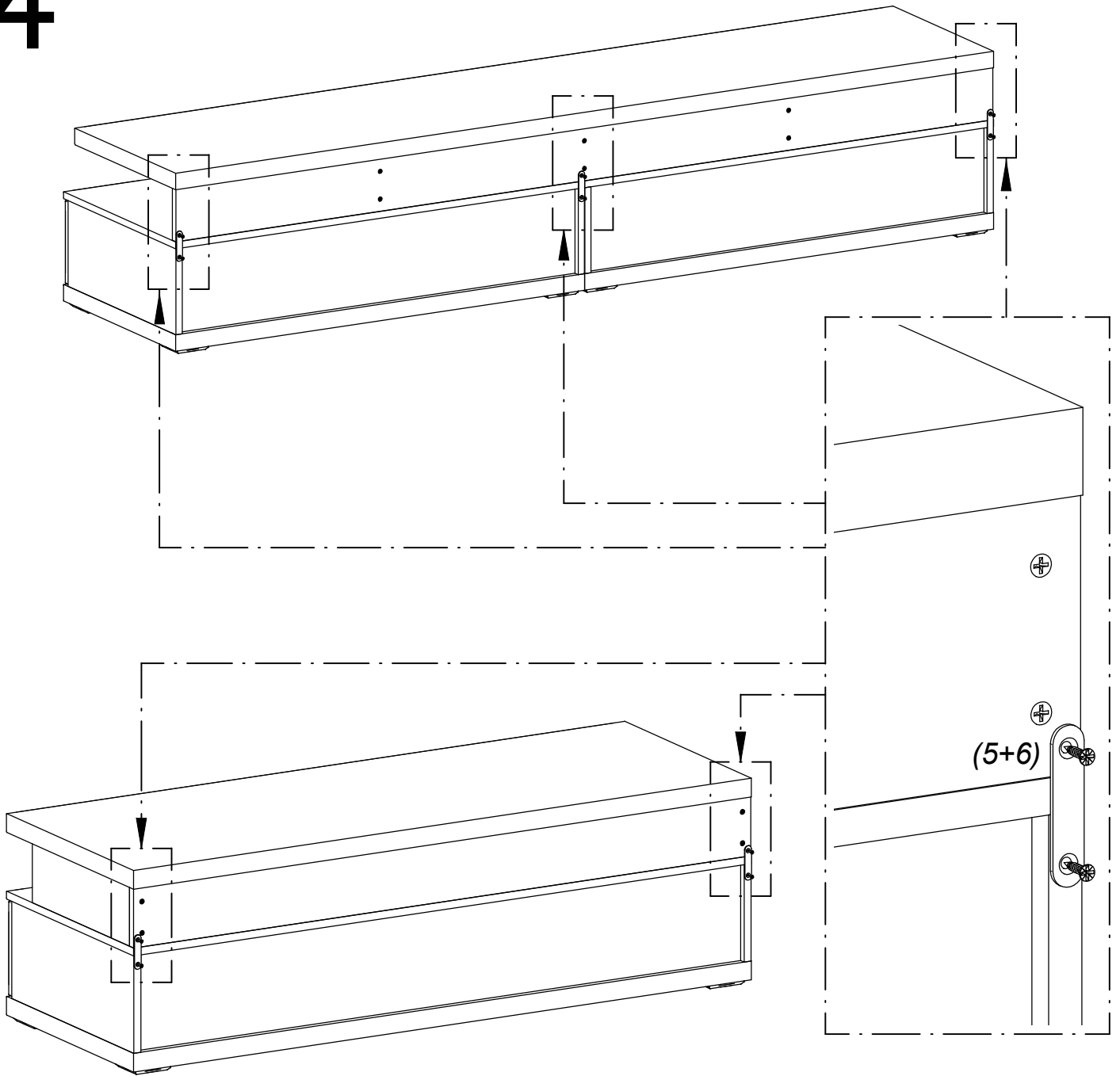
2



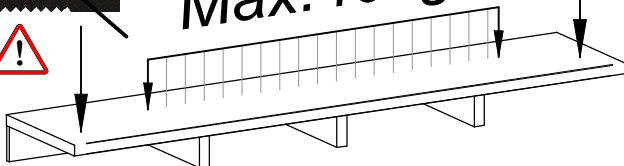
3



4



Max. 40kg



Max. 40kg

