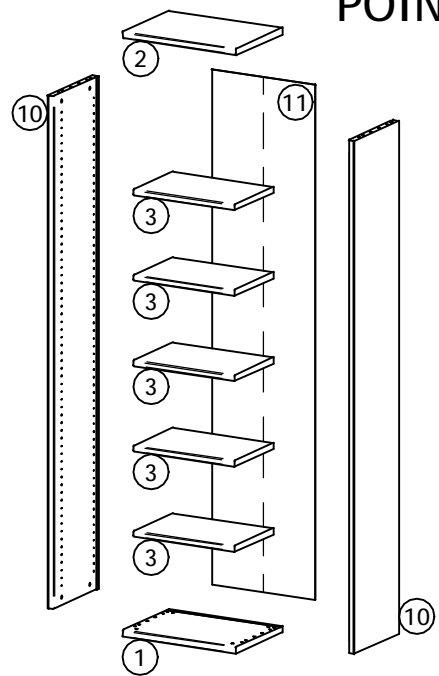
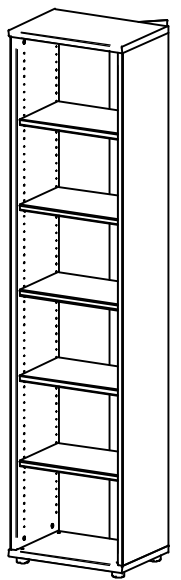
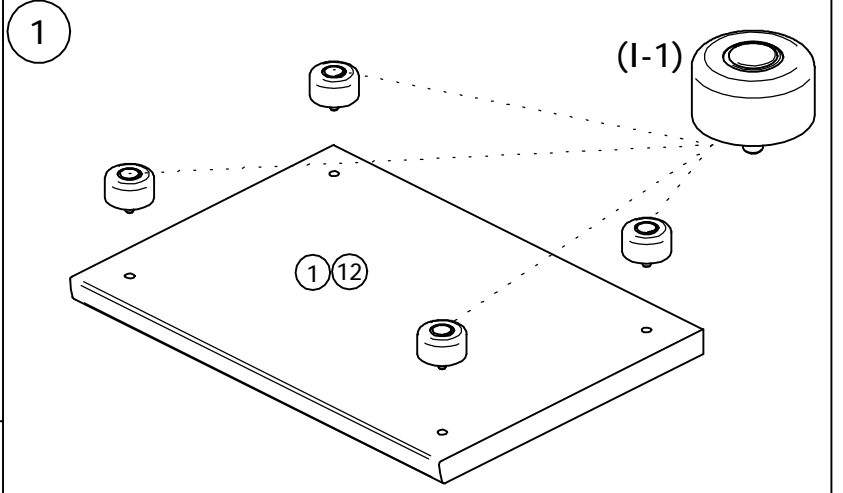
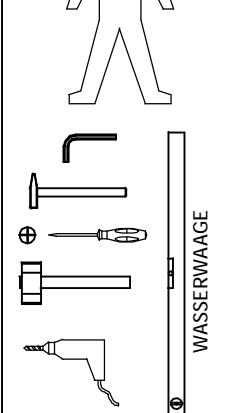


12/004-1

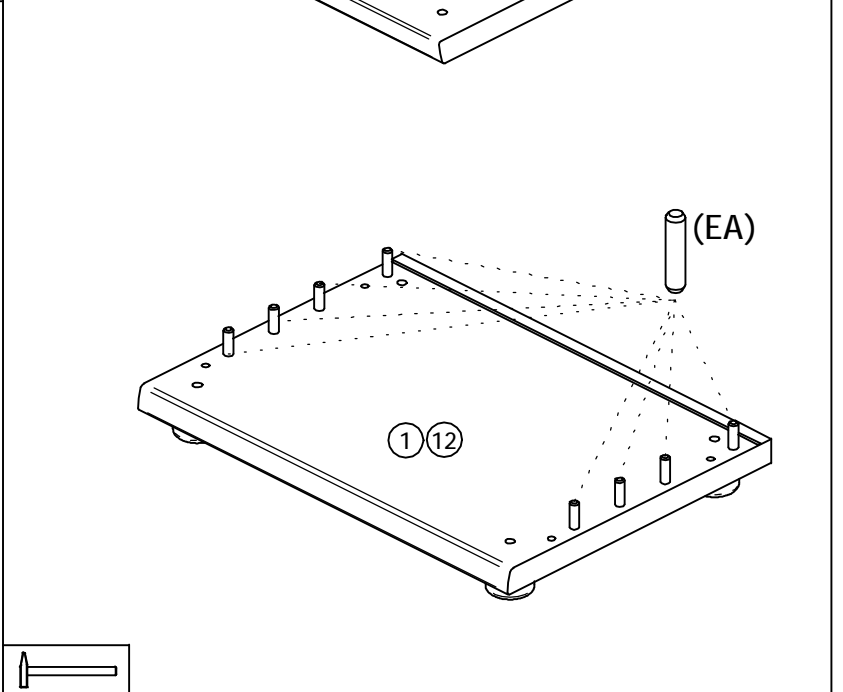
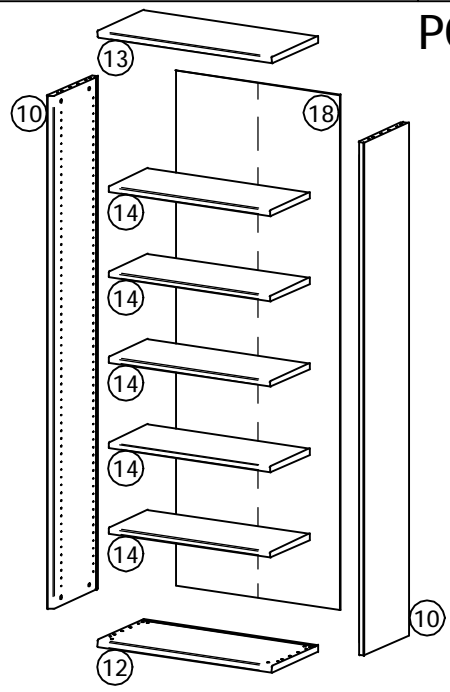
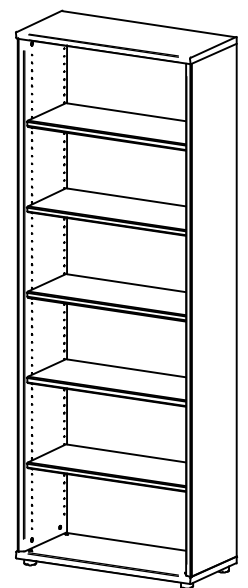
POINT 54

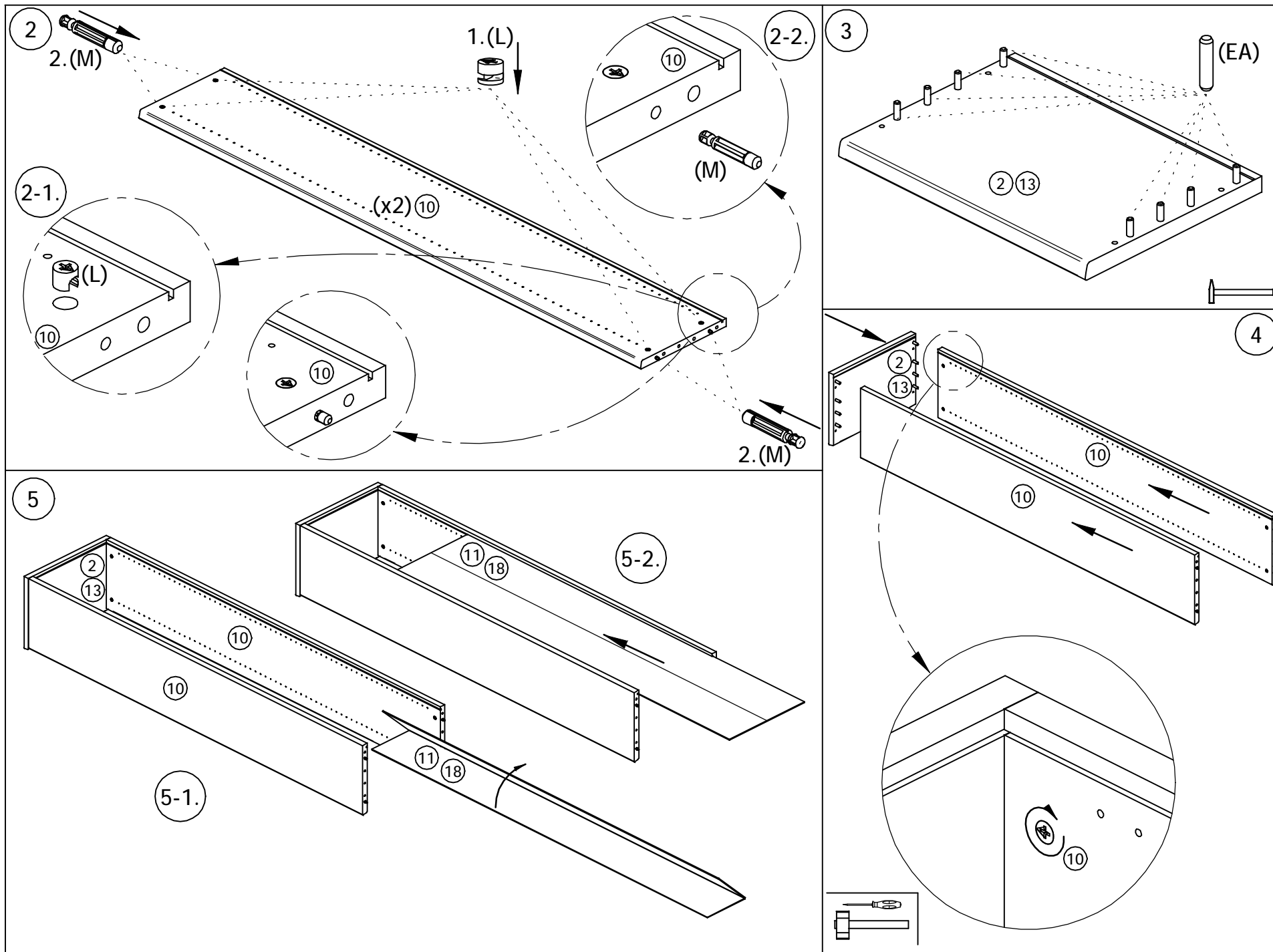


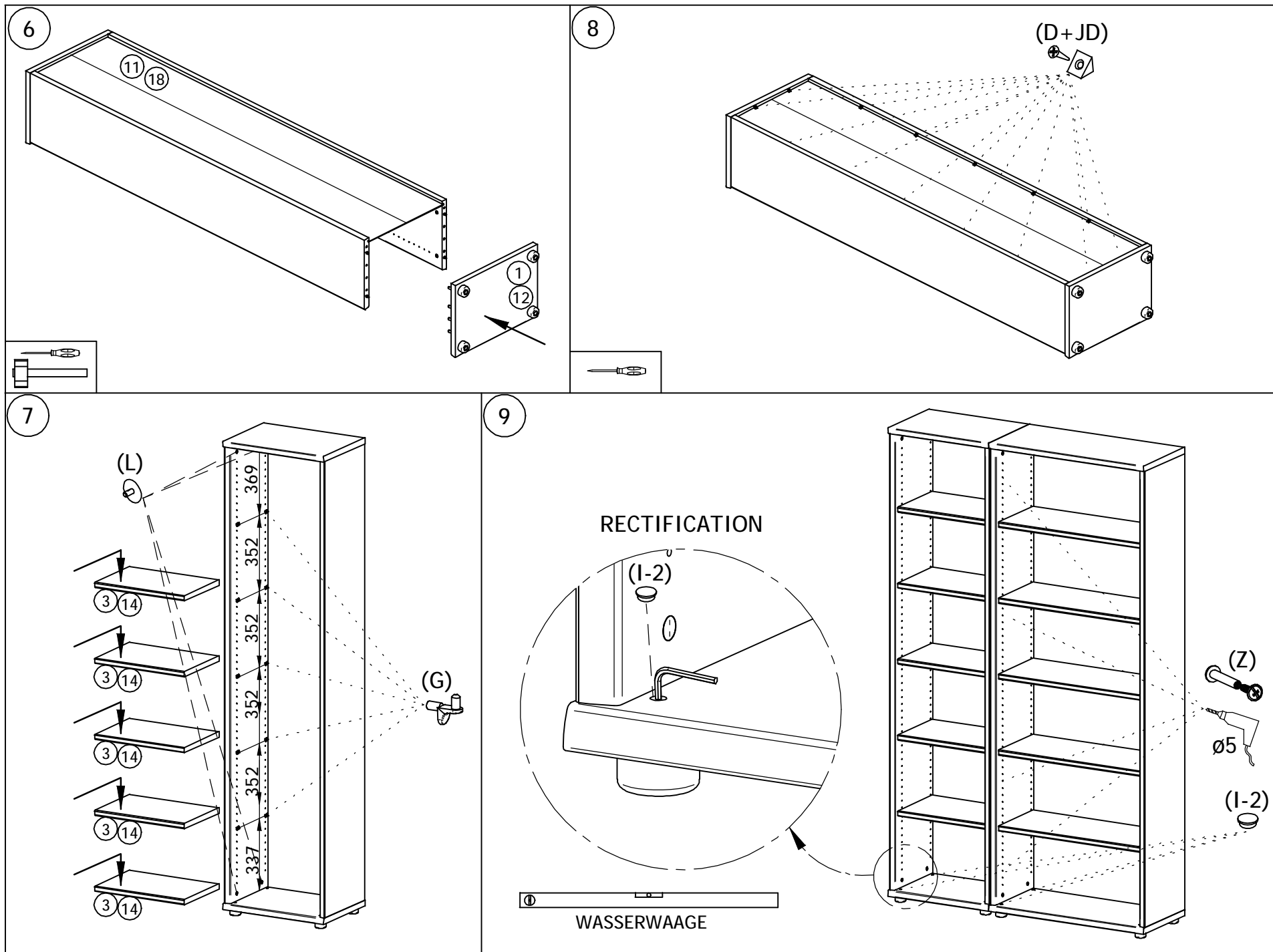
D	x14	EA	$\varnothing 10 \times 45$ x16	G	$\varnothing 5$ x20	I	x4
JD	$\varnothing 4 \times 25$ x14	L	$\varnothing 15$ x8	M	$\varnothing 8$ x8	Z	$\varnothing 5/2 \times 28$ x4
		KD	$\varnothing 15$ x8				



POINT 84

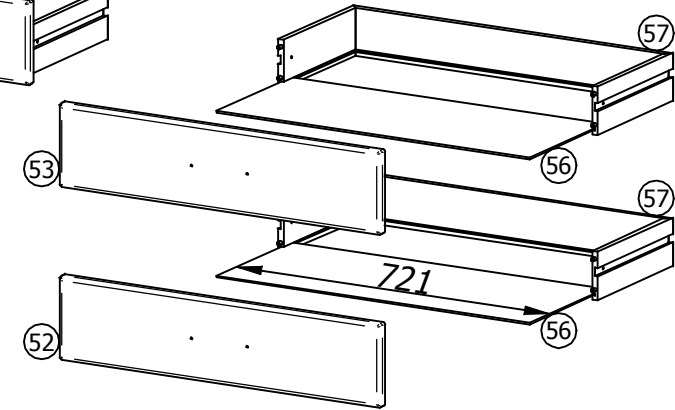
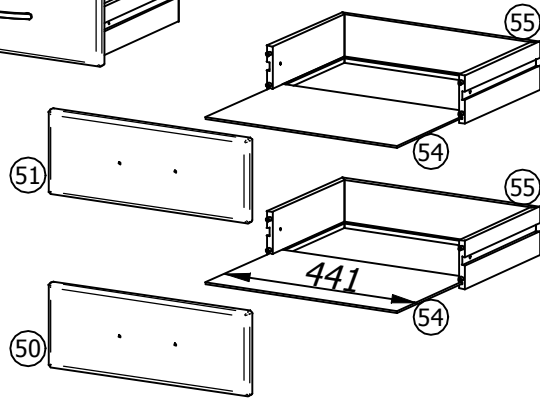
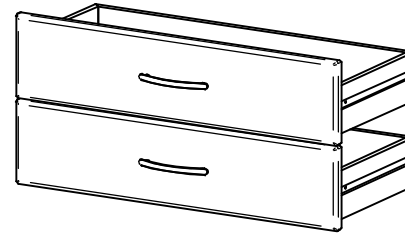
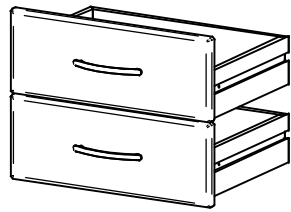






POINT S 5X

POINT S 8X



	OBERSCHUBKASTEN	AA O P	x2 N	x4 X	S 5X-x4 S 8X-6x
	UNTERSCHUBKASTEN				
	(51)(53) (50)(52)		ØM4x10 x4 KE	x4 AC M4x25 x4 F	x1

1

2

3

4

