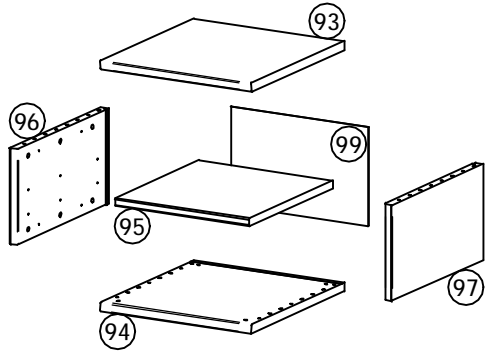
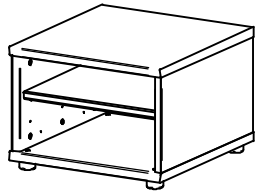
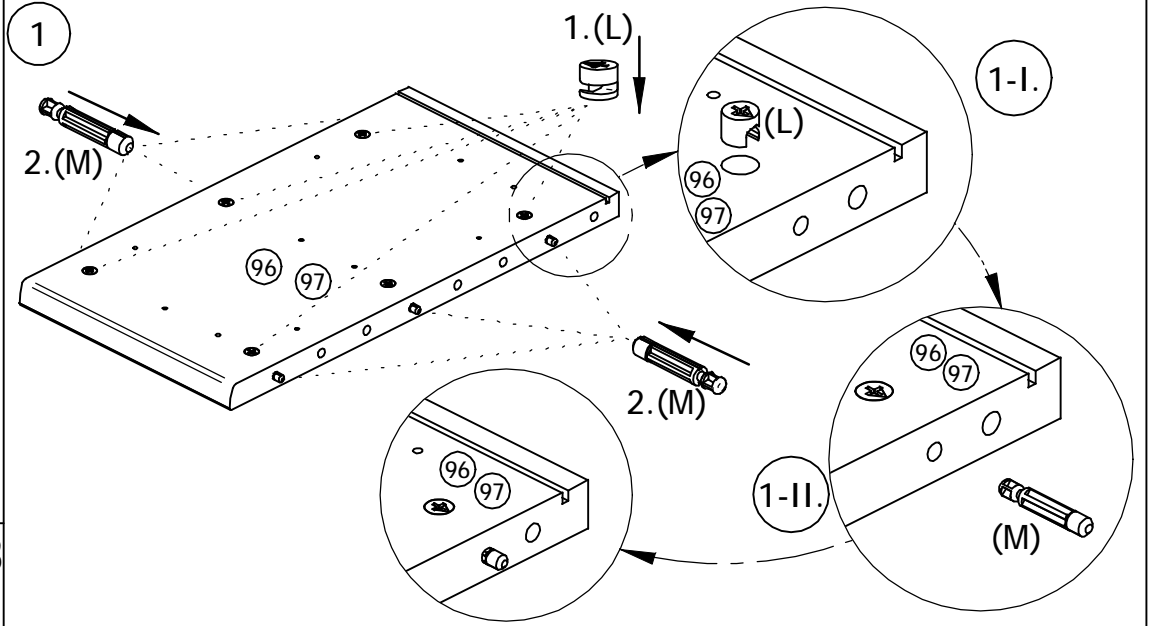
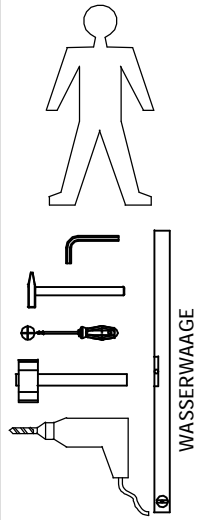


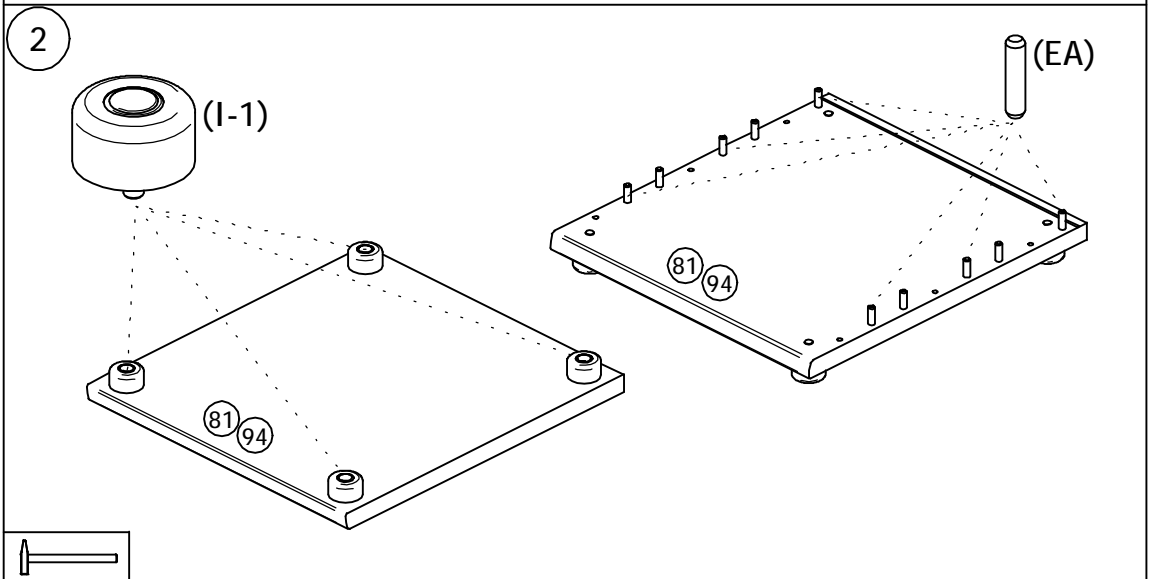
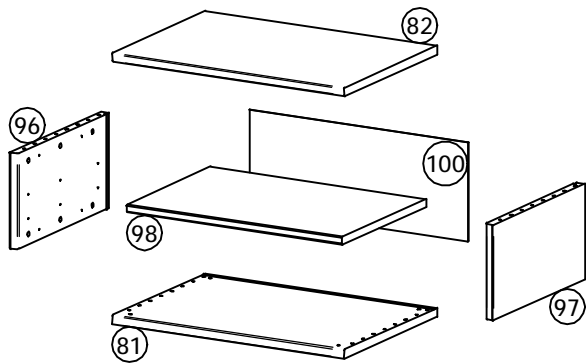
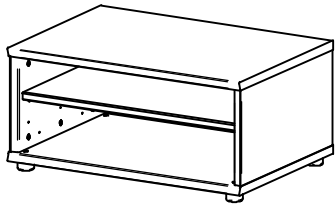
POINT UT 5

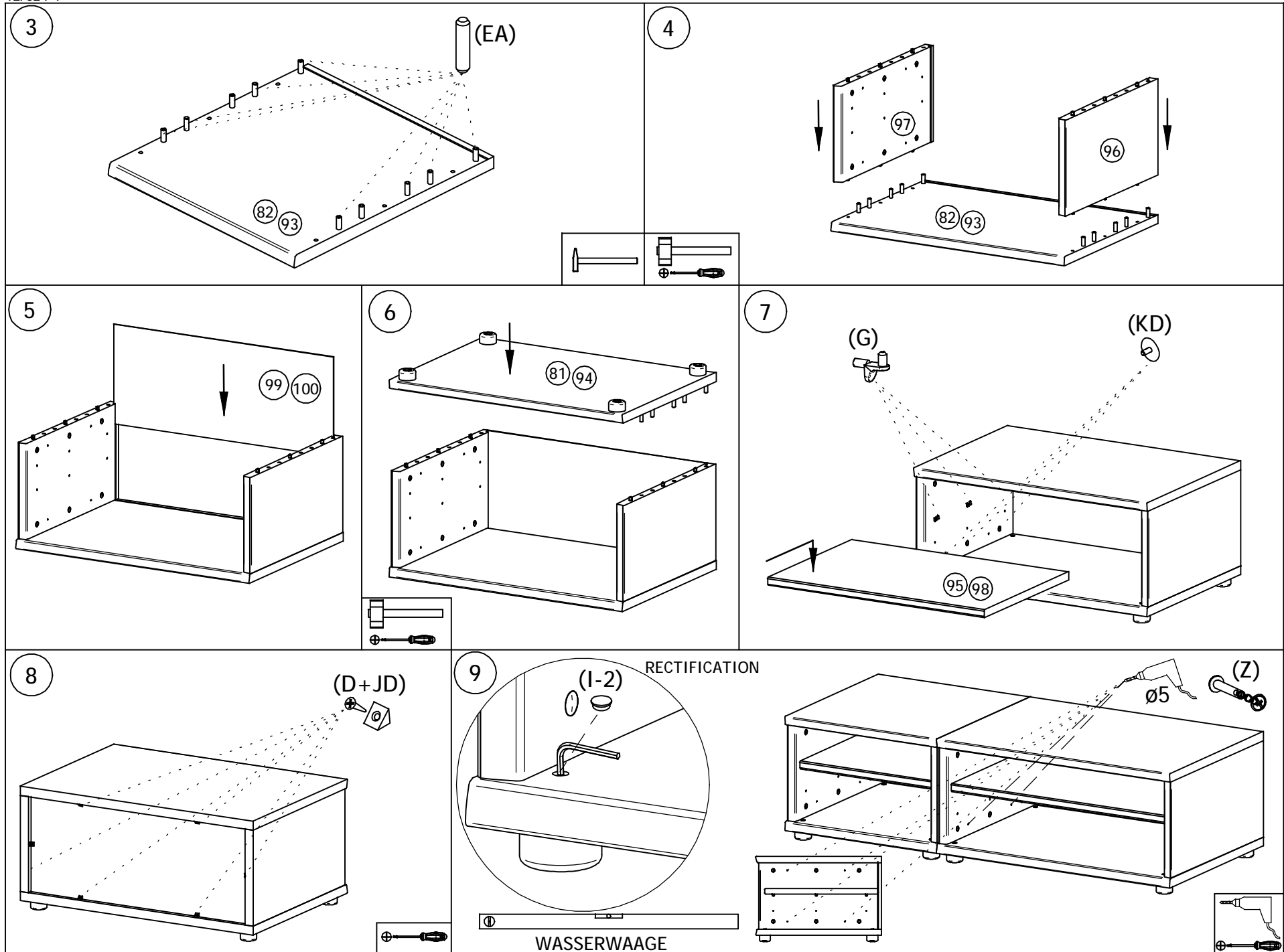


I		x4	D		x6	EA		∅10x45 x20	G		∅5 x6	KD		∅15 x12
	JD		∅4x25 x6	L		M		∅15 x12	M		∅8 x12	Z		∅5/2x28 x3



POINT UT 8





<p>POINT SUT 5XN</p>		<p>POINT SUT 8XN</p>											
<p>POINT SUT 5XH</p>		<p>POINT SUT 8XH</p>											
	AA	<p>x1</p>	NA	<p>x2</p>	X	<p>SUT 5XN-x4 SUT 5XH-x4 SUT 8XN-6x SUT 8XH-x6</p>	Y	<p>ø3,5x20</p> <p>SUT 5XN-x4 SUT 5XH-x4 SUT 8XN-6x SUT 8XH-x6</p>					
	O	<p>ø6.3x11 x6</p>	P	<p>øM4x10 x2</p>	KE	<p>x2</p>	AC	<p>M4x25 x2</p>	F	<p>x1</p>			
<p>1</p> <p>(F)</p>	<p>2</p> <p>(F)</p>	<p>3</p> <p>(AC)</p>	<p>4</p> <p>(X+Y)</p> <p>90°</p>										

