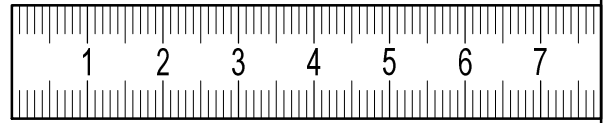


SK NÁVOD NA MONTÁŽ
 CZ MONTÁŽNÍ NÁVOD
 HU SZERELÉSI UTASÍTÁS
 DE MONTAGEANLEITUNG

ALEX-KST1

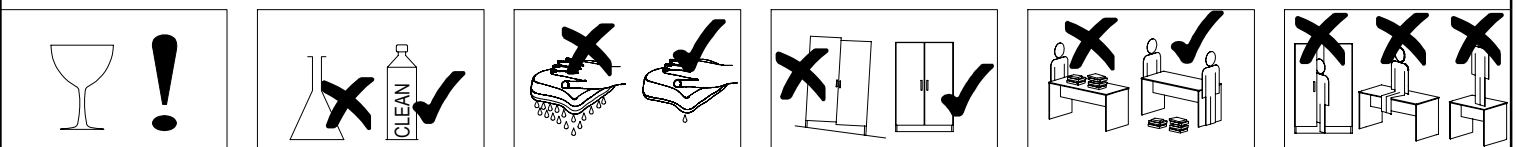
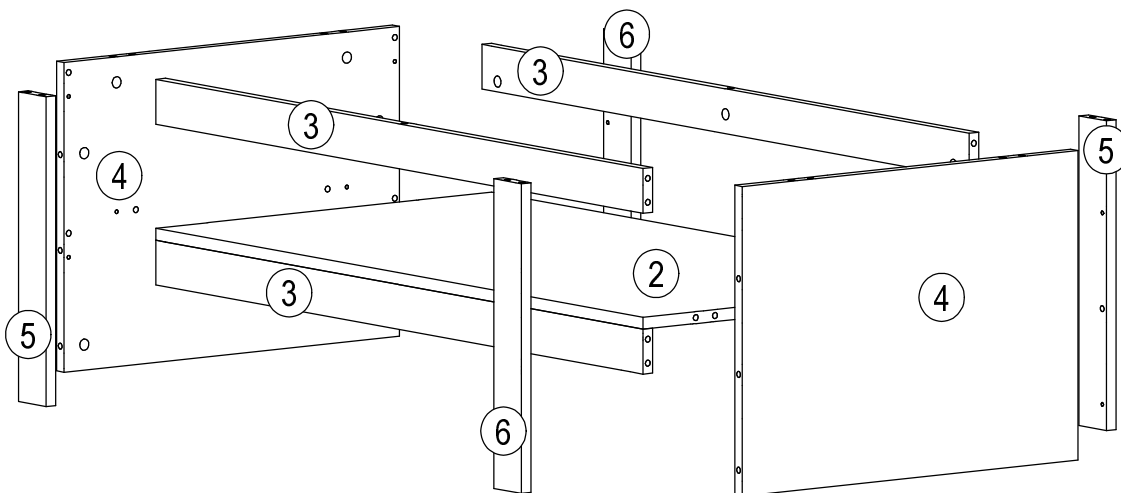
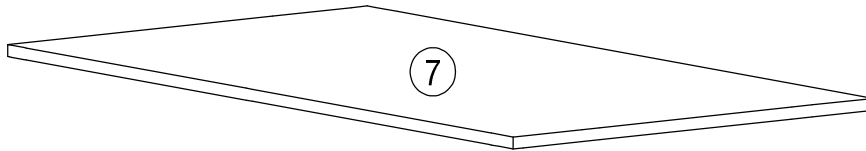
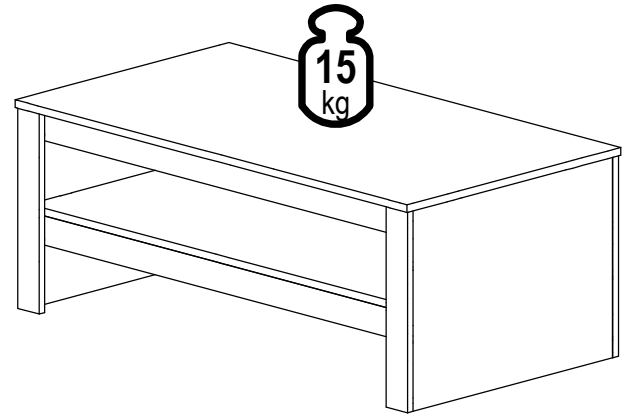
	926	mm
	882	
	450	




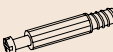
27000,00 Ø8*30	30090,00 	34907,00 	70013,01 	70021,01
A 28x	B 4x	C 28x	D 28x	E 28x

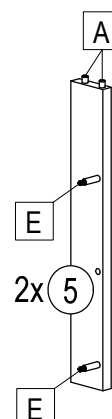
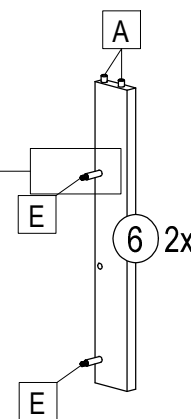
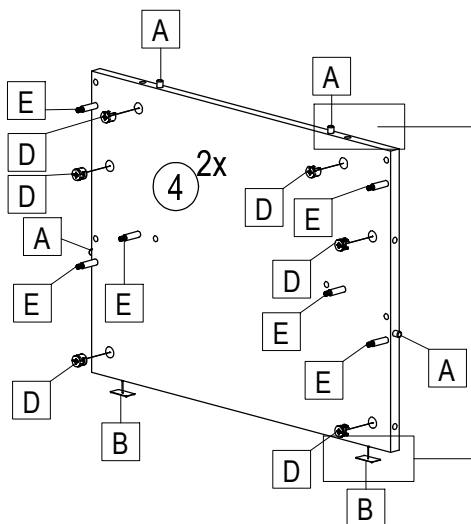
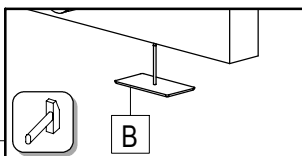
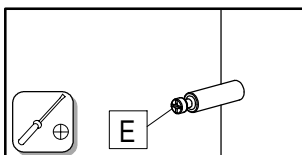
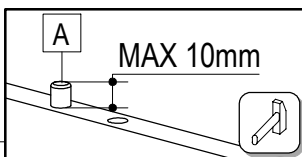
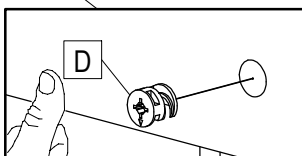
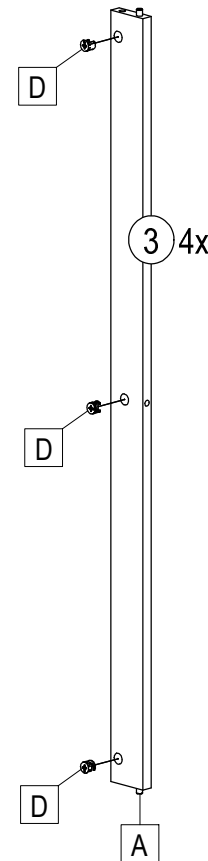
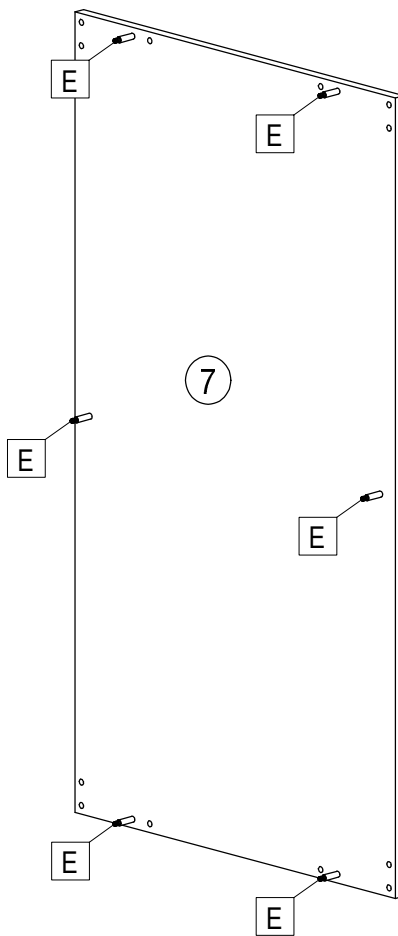
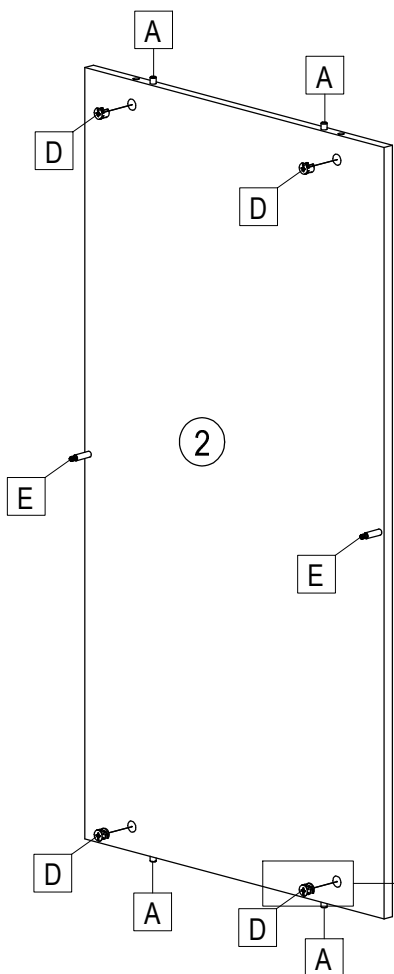


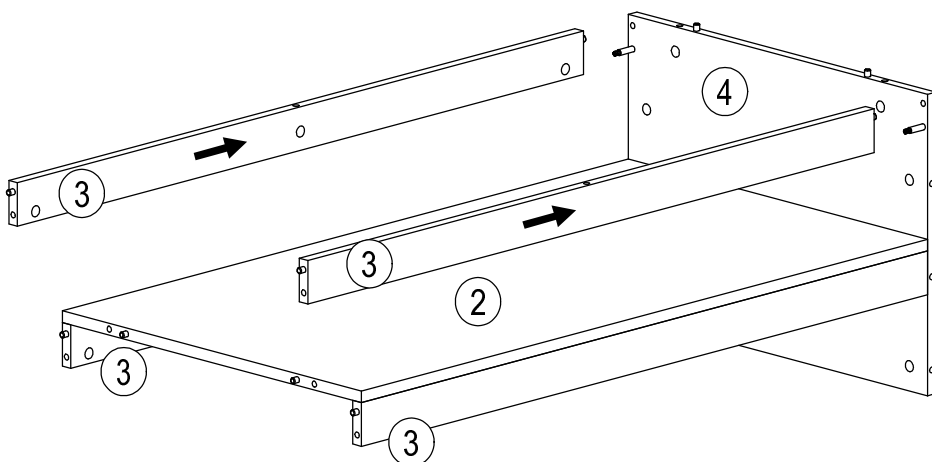
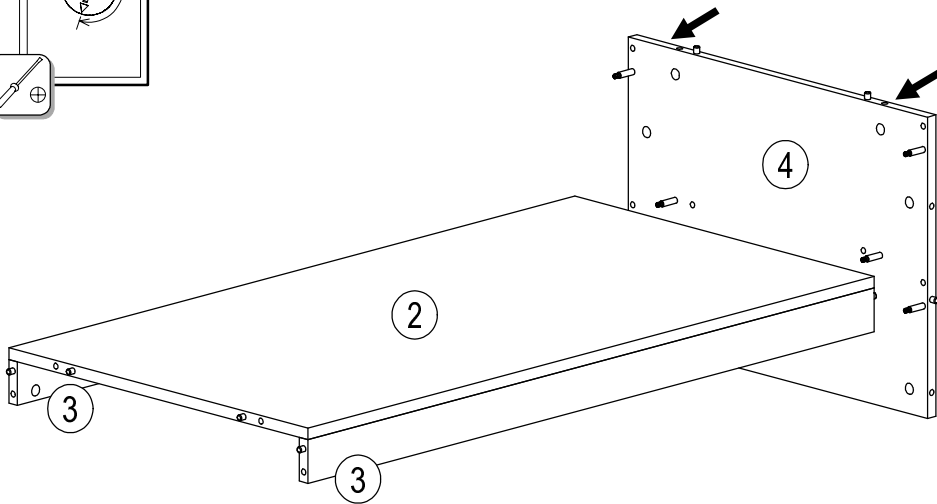
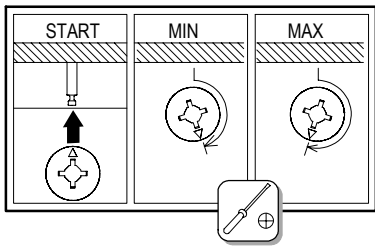
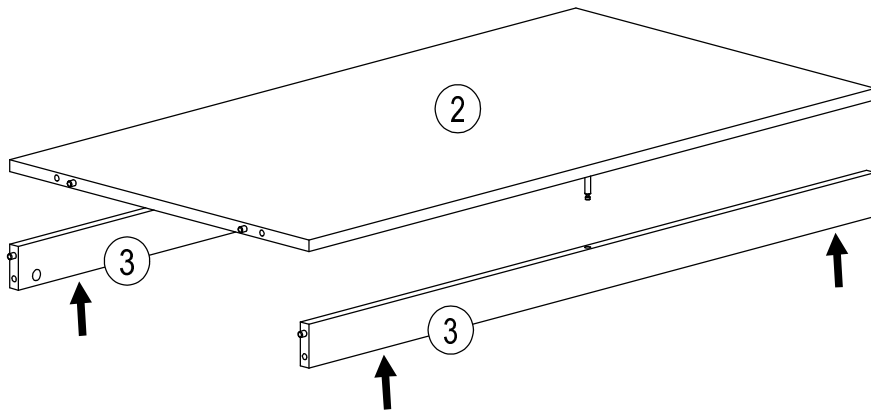
	 60min		 PZ2	 ≤ 0,5 kg	 3m	 600 mm
--	-----------	--	---------	--------------	--------	------------


ID	ID			
08502	②	1060*560*16	1x	1/1
08503	③	1060*60*16	4x	1/1
08504	④	414*560*16	2x	1/1
08505	⑤	414*60*16	2x	1/1
08506	⑥	414*60*16	2x	1/1
08507	⑦	1100*600*16	1x	1/1

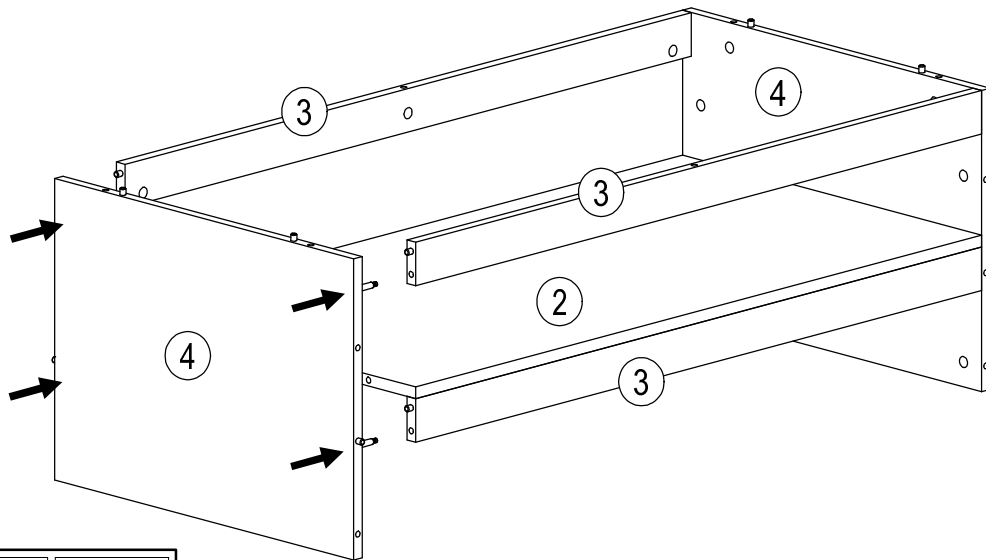


			
A 28x	B 4x	D 28x	E 28x






C 28x



START MIN MAX

The diagram shows three stages of adjustment: START (upward arrow), MIN (clockwise rotation), and MAX (counter-clockwise rotation). A screwdriver icon is shown below the diagram.

