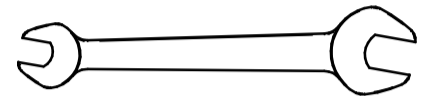
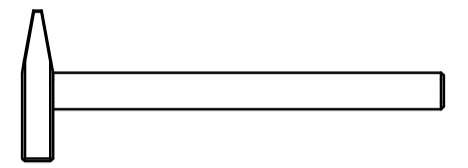
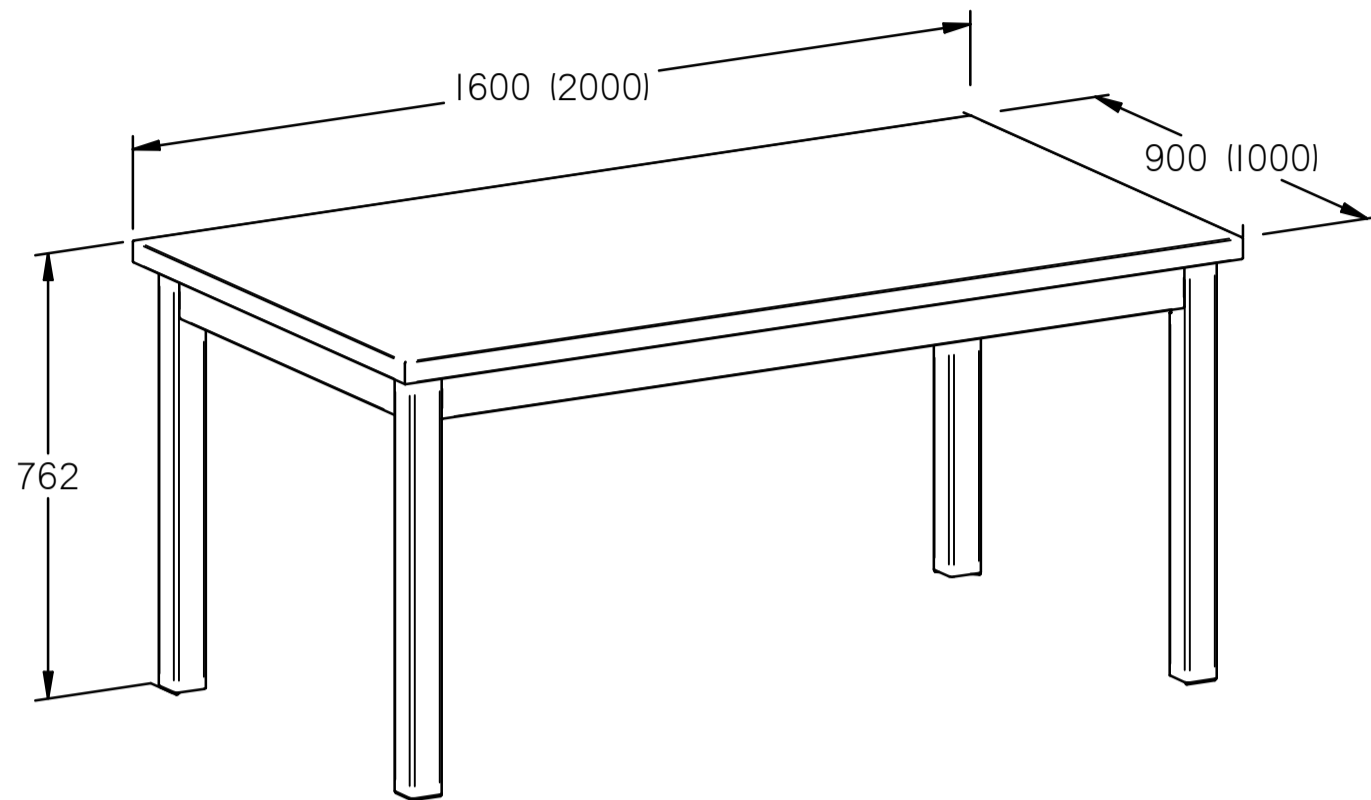
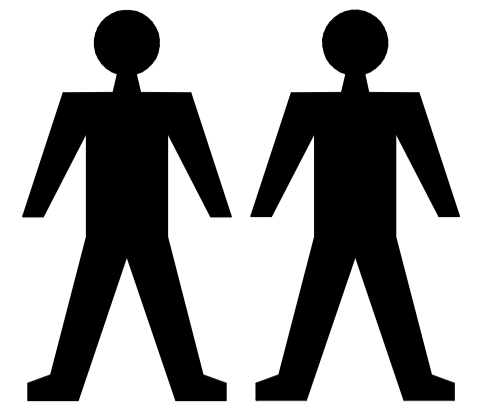


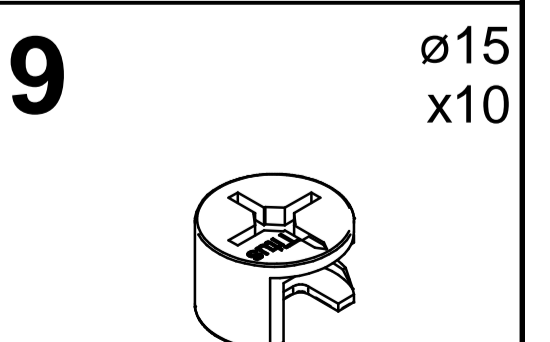
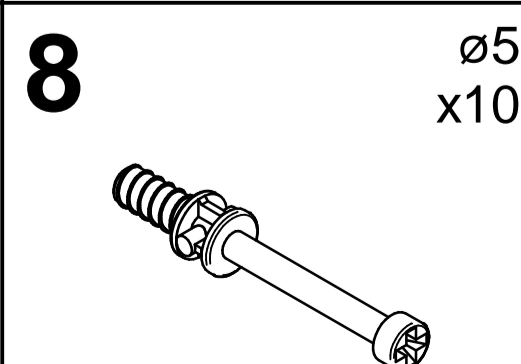
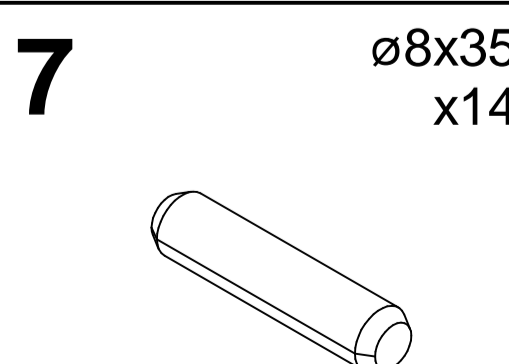
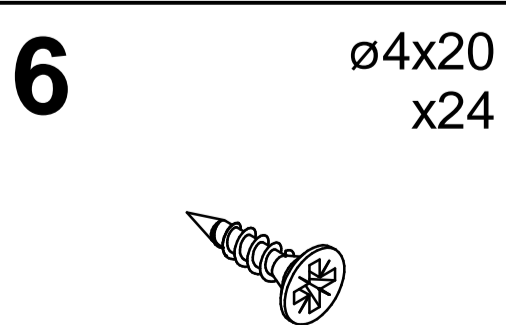
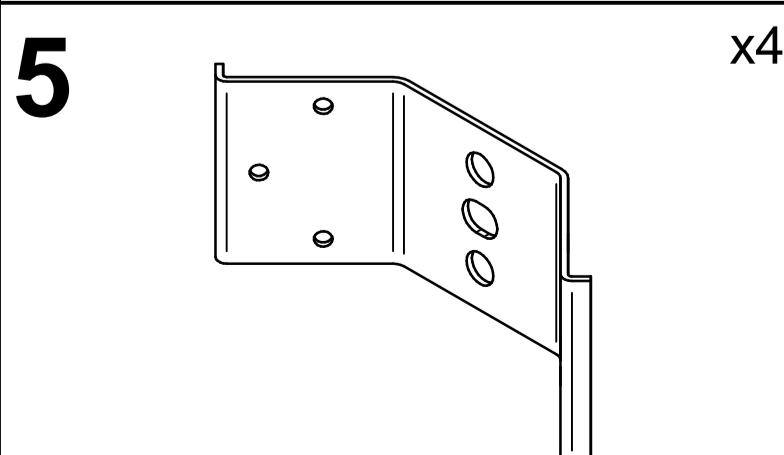
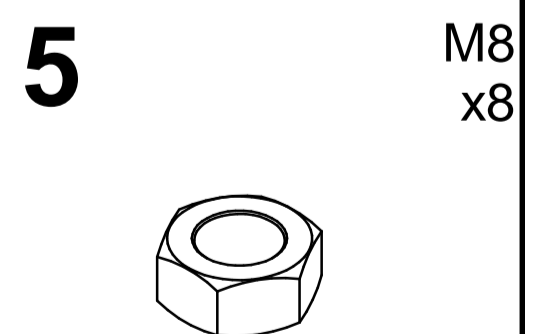
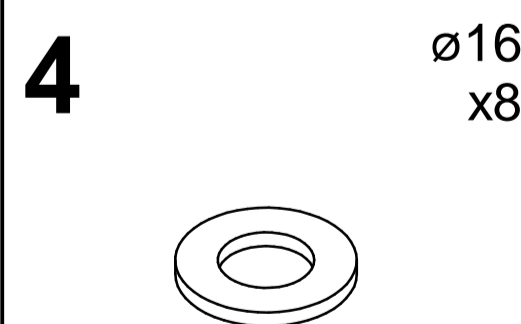
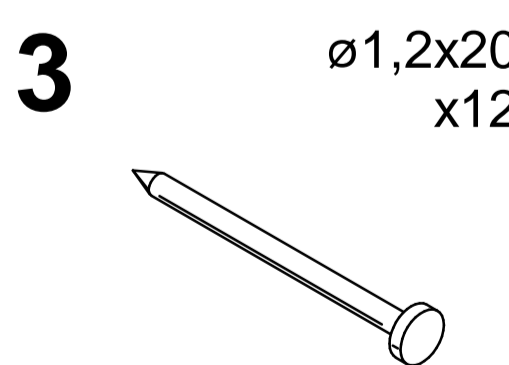
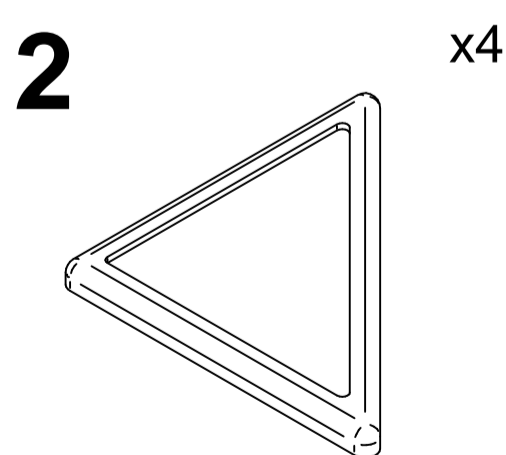
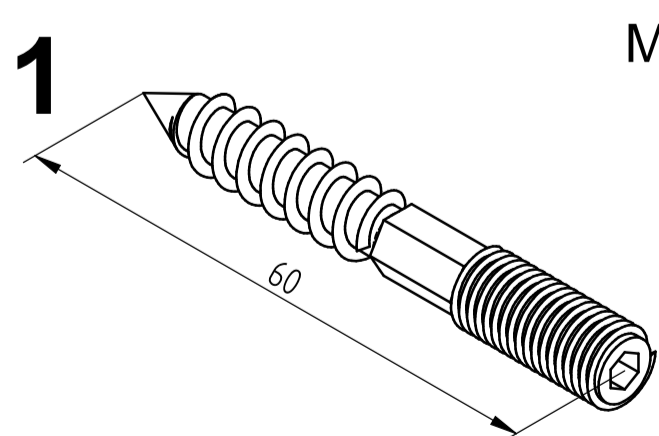
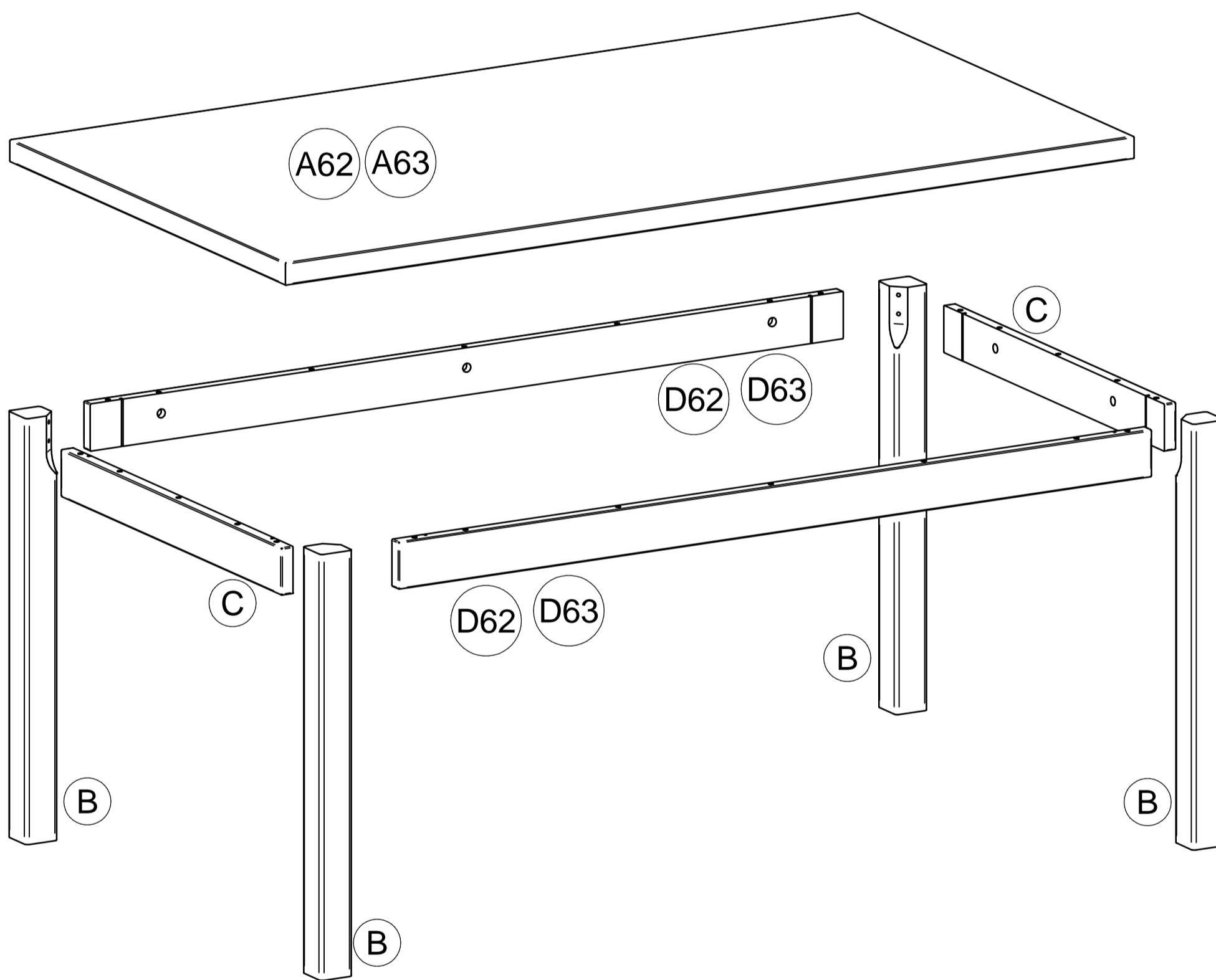
# TRIA/SPA/NAVI 62,63 BANA 162,163



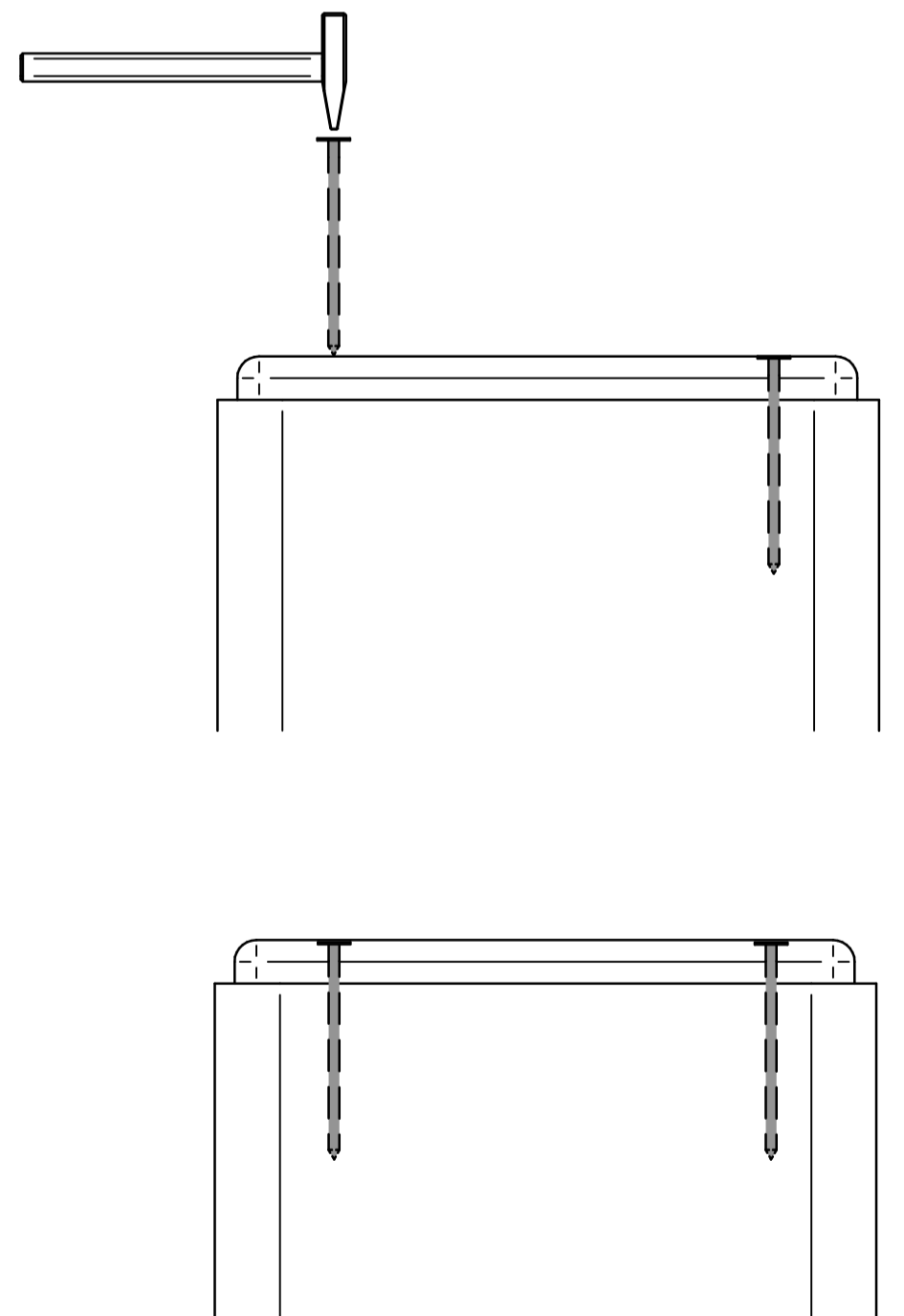
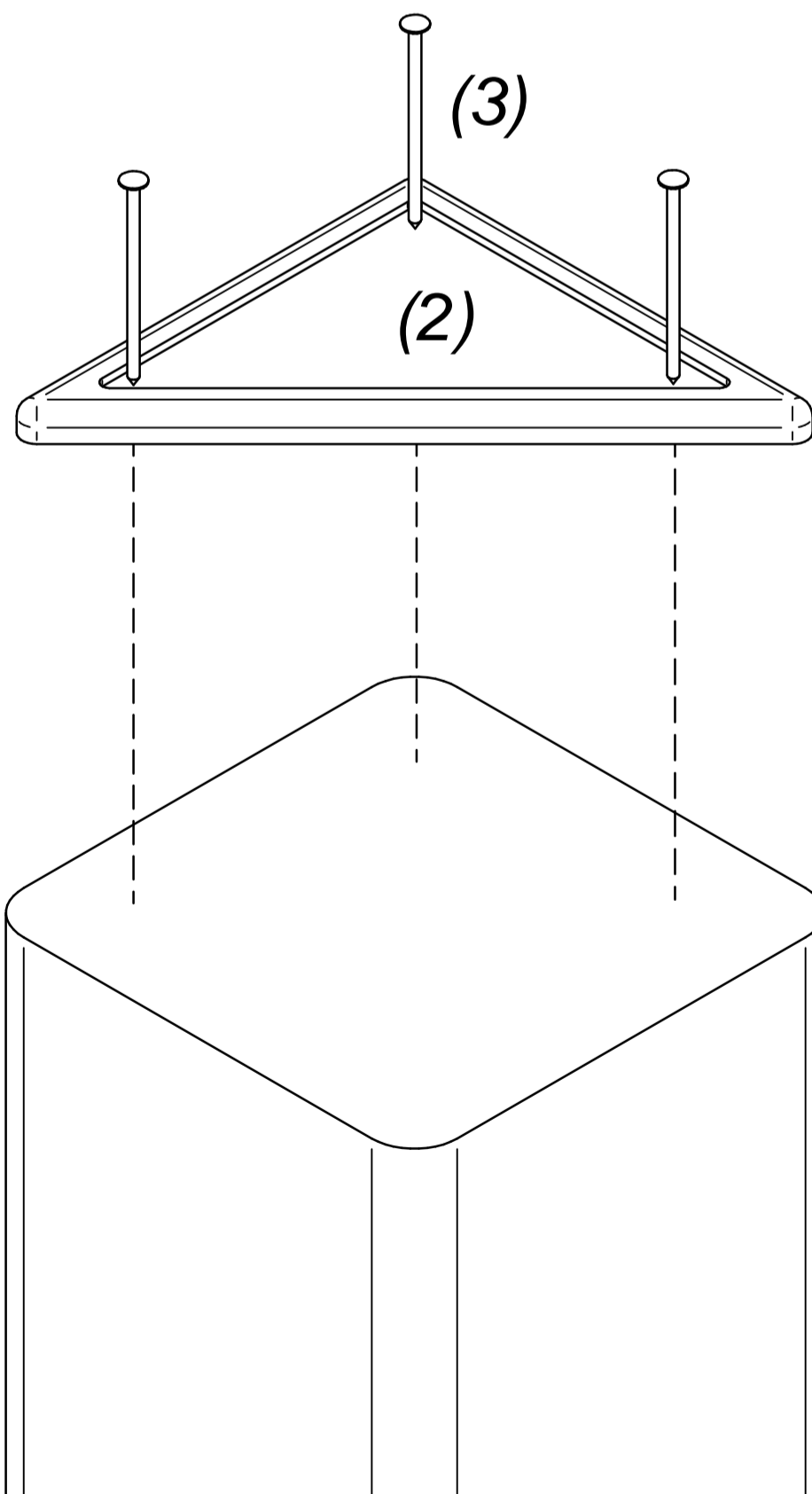
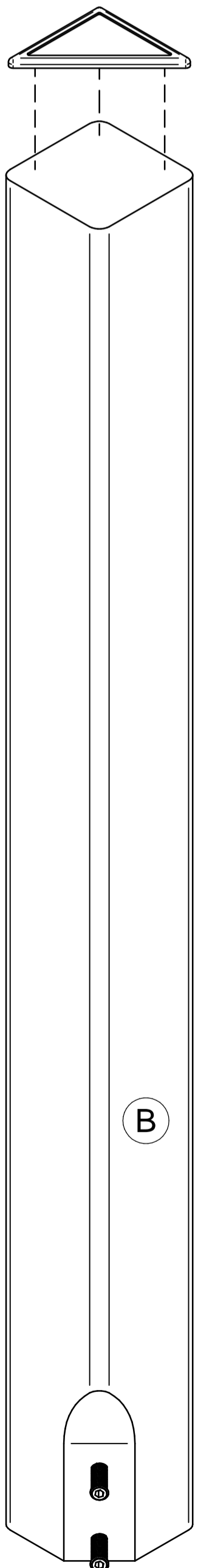
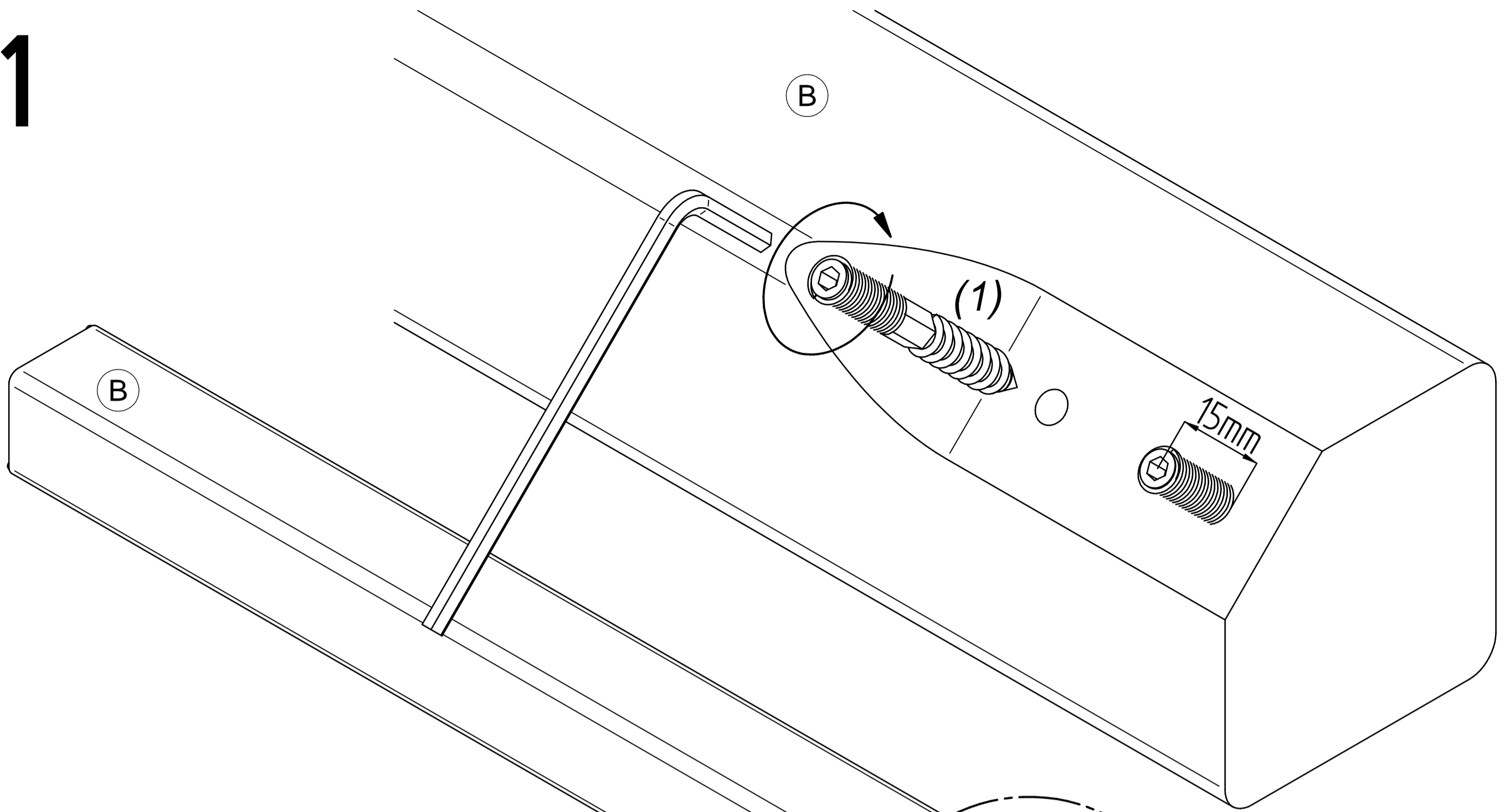
No.13



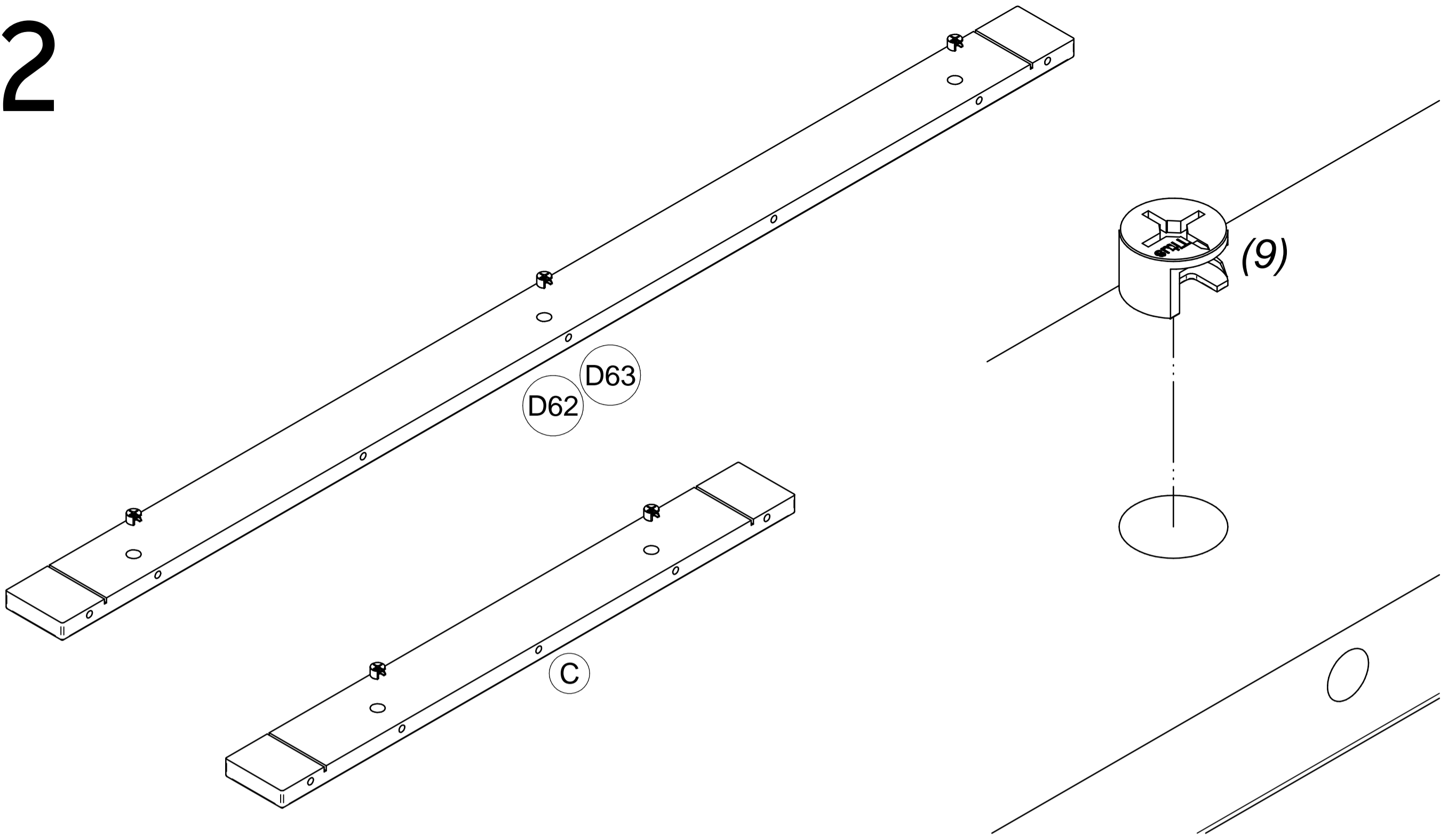
Torx 25



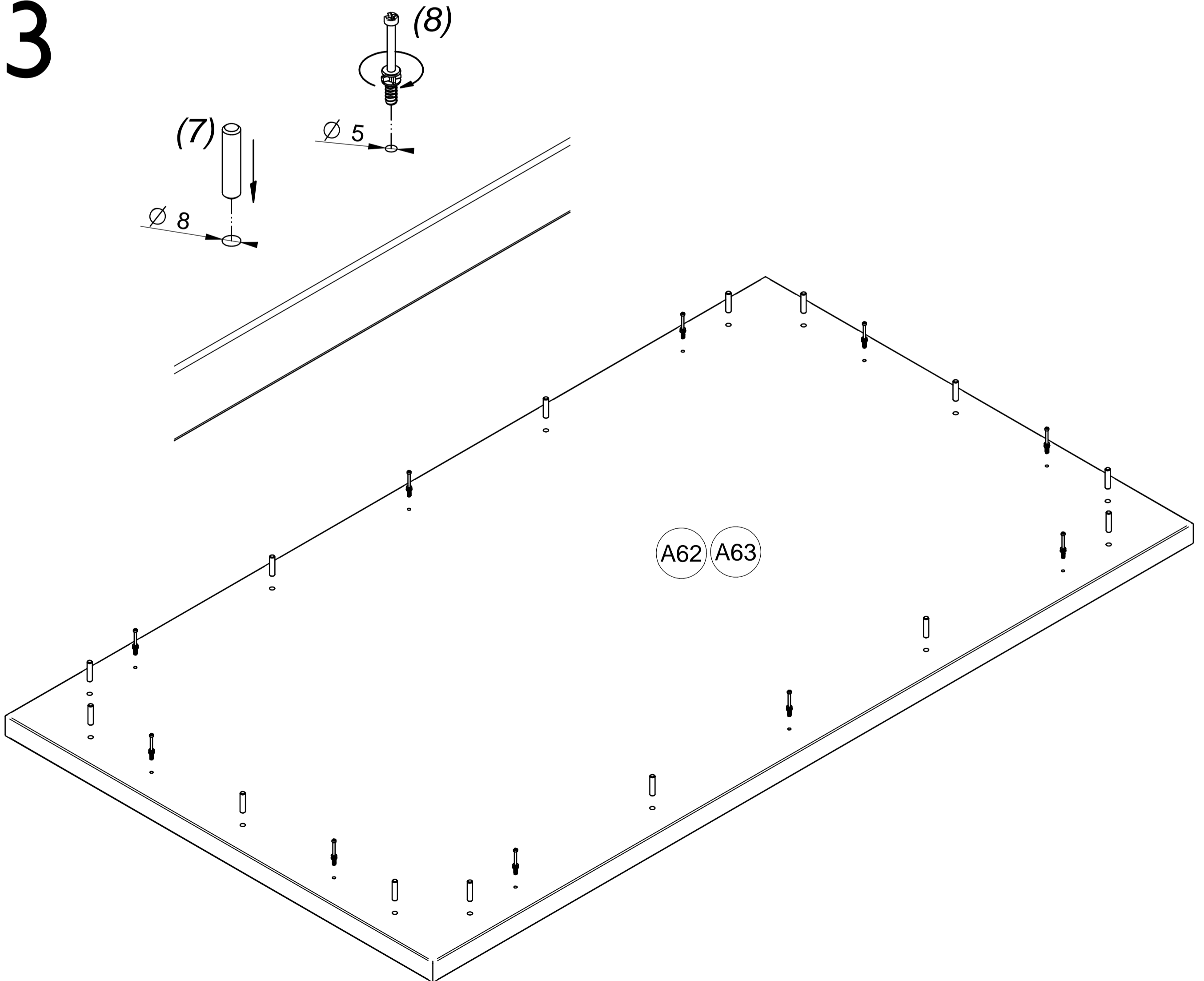
1



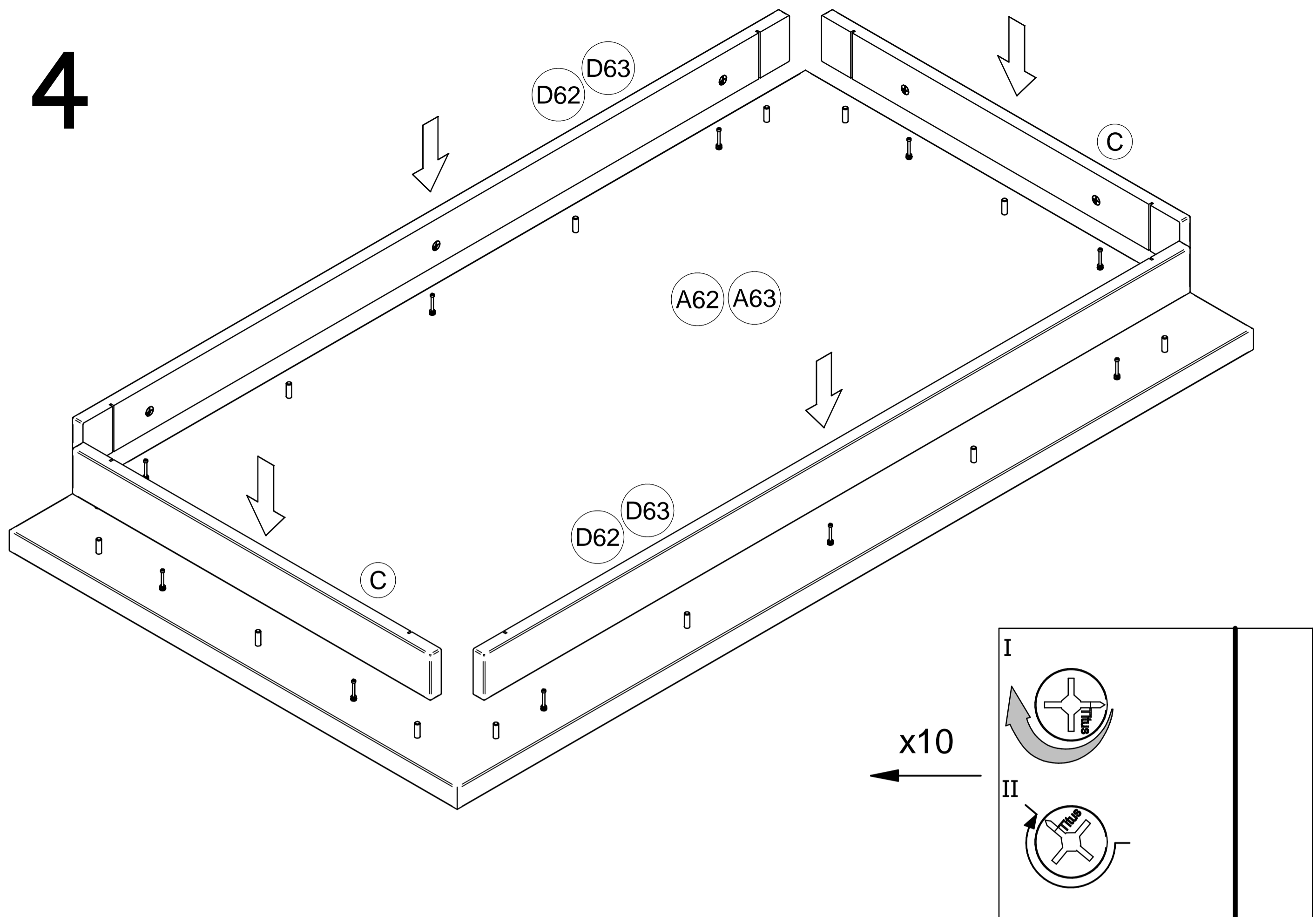
# 2



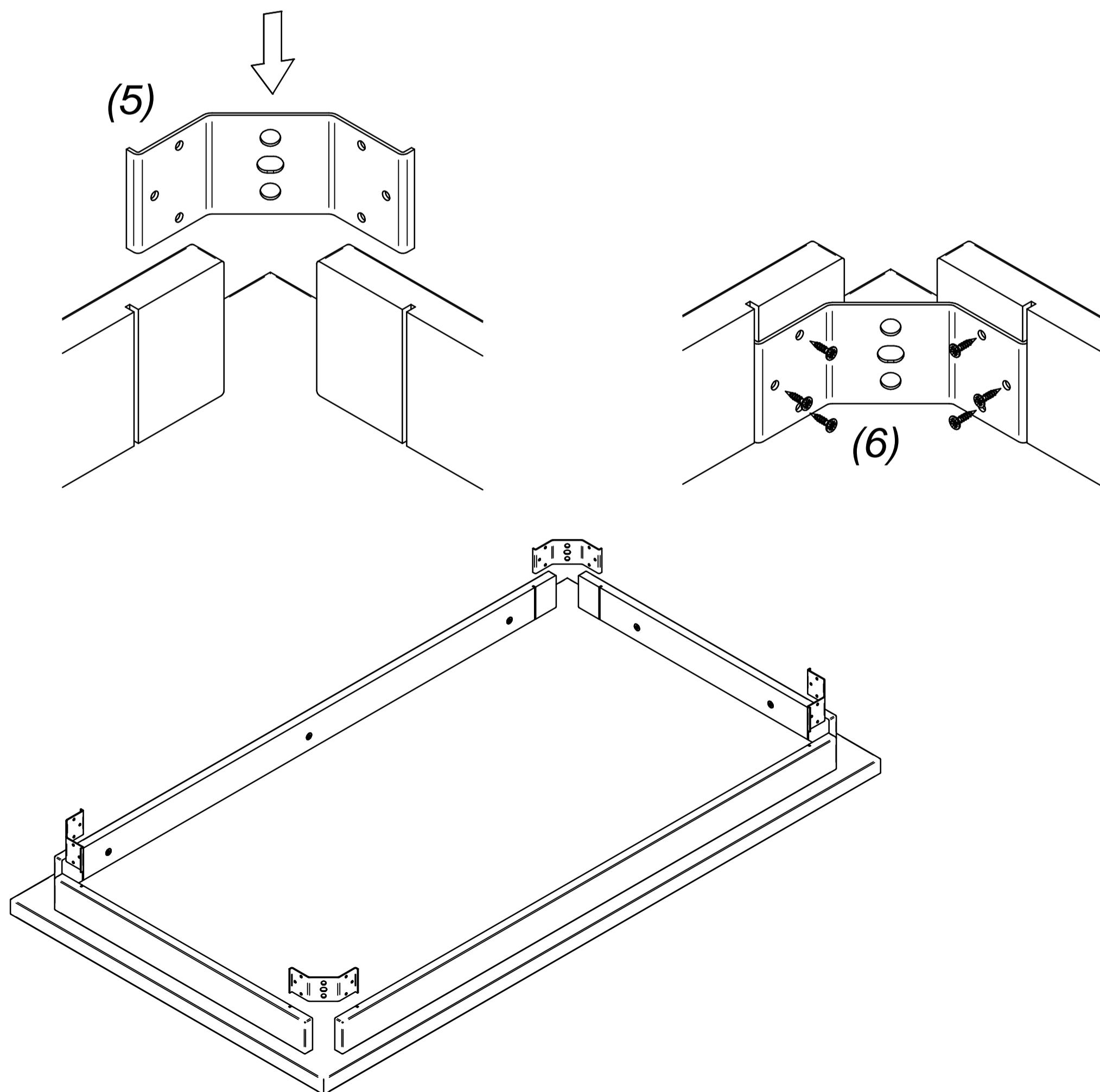
# 3



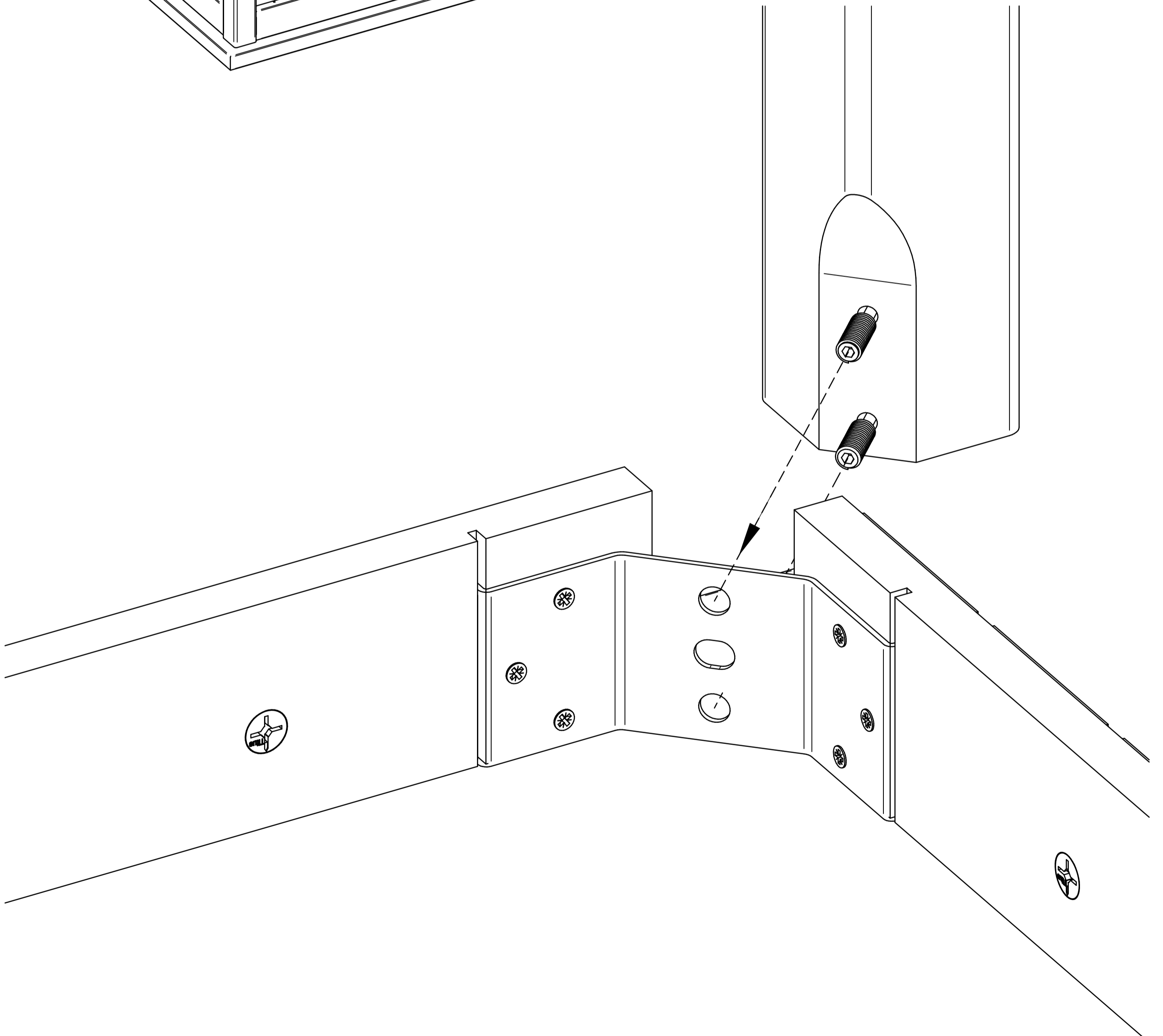
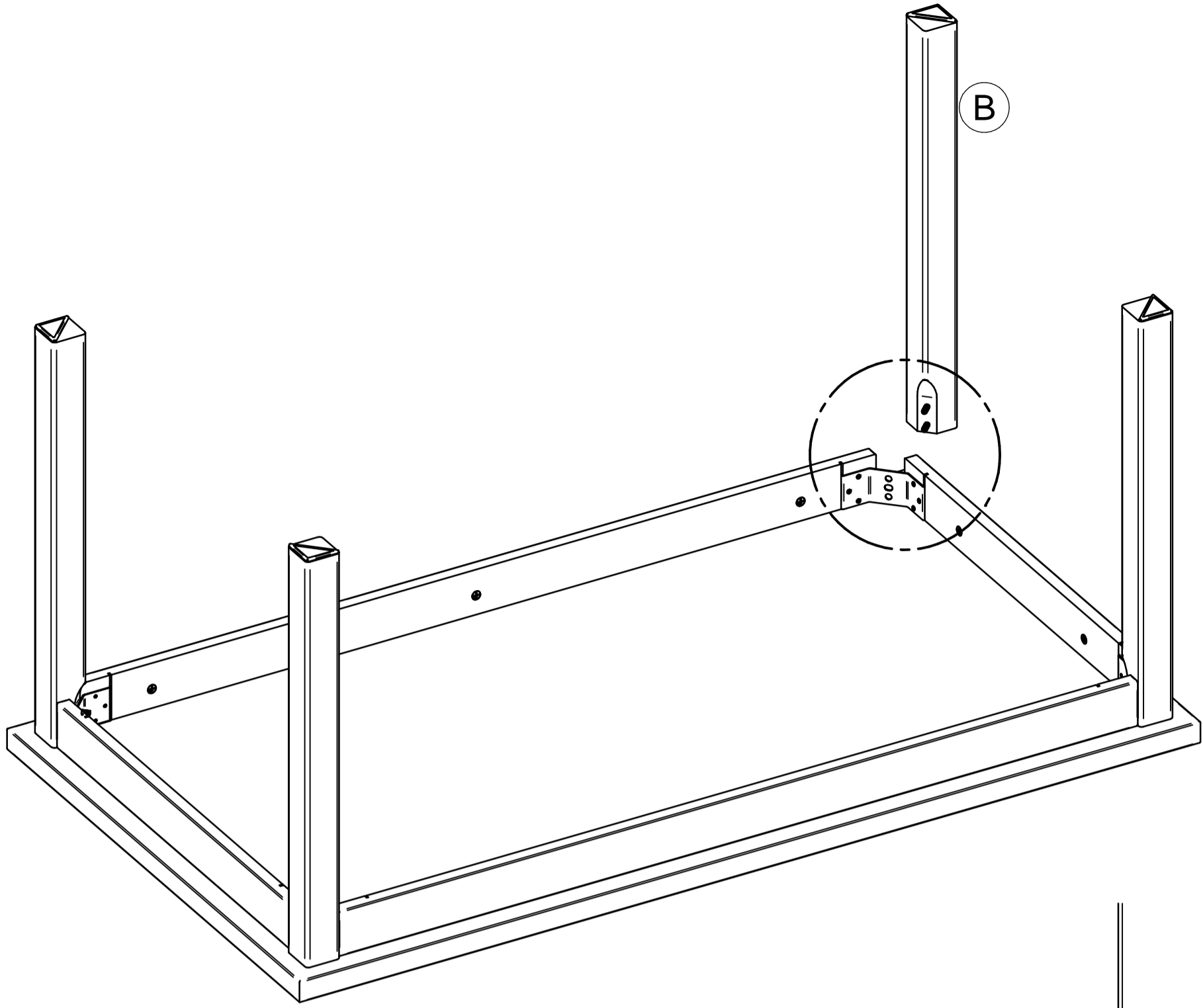
# 4



# 5



6



7

