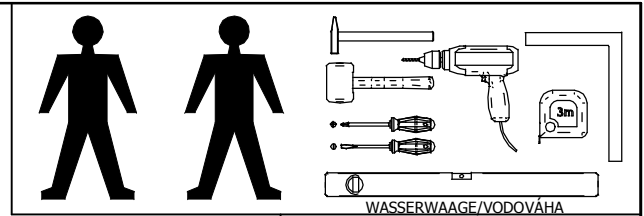
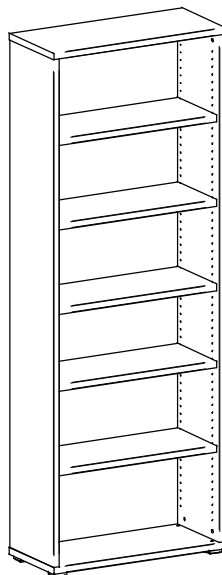
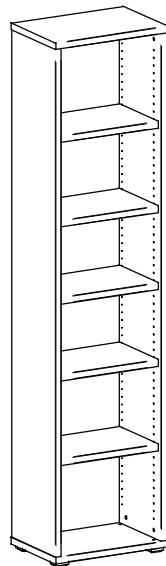


Montageanleitung Montážny návod

POINT Plus

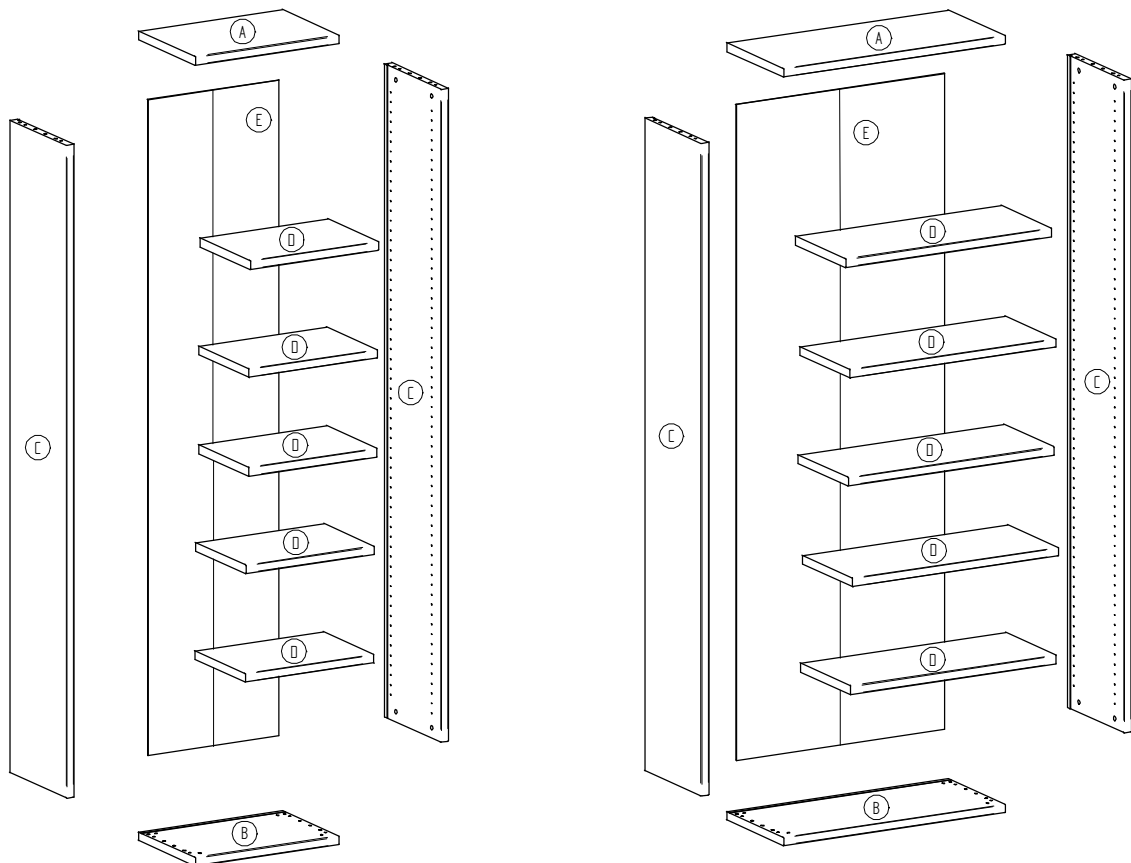
Type/Typ
MN 144/54

54,84

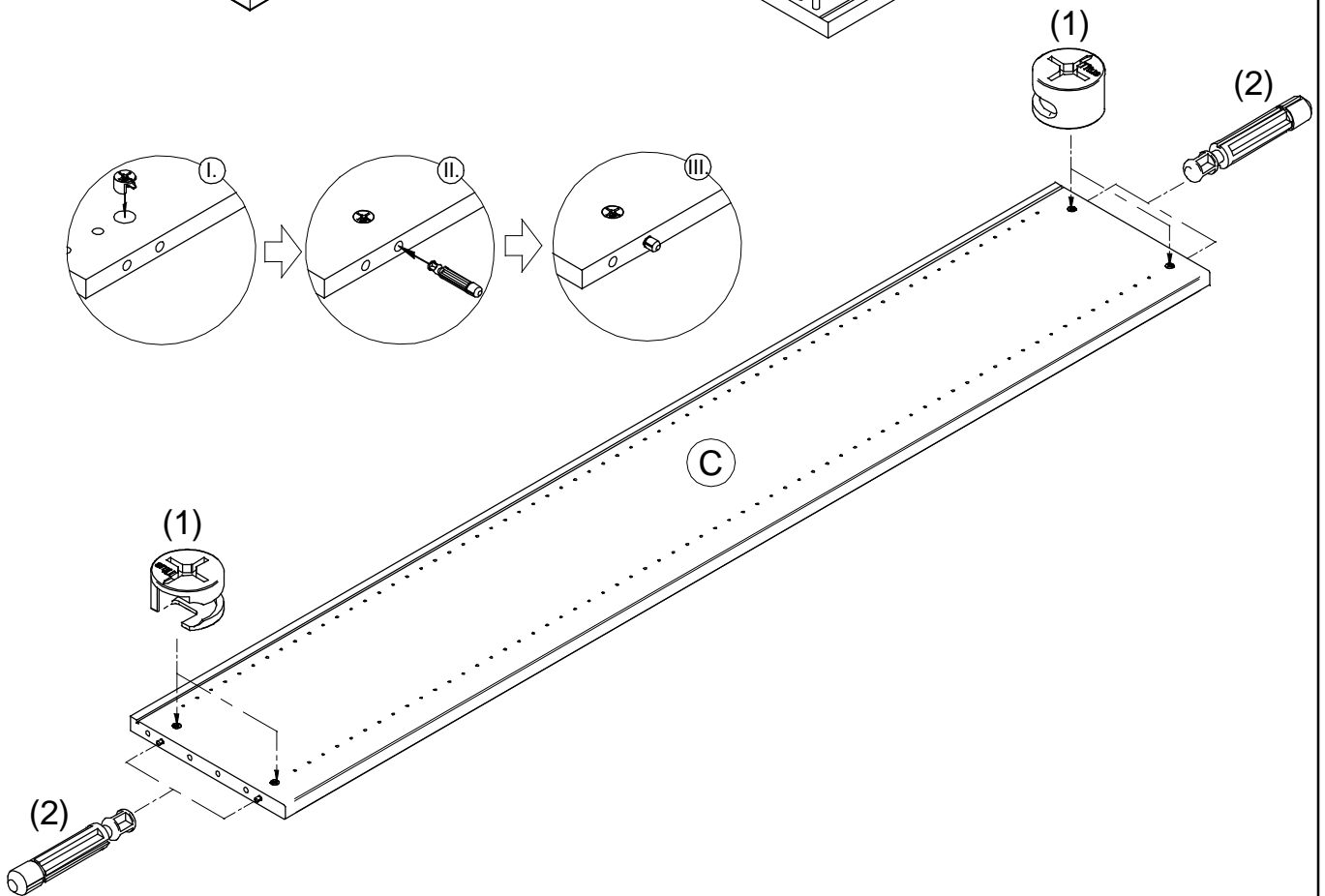
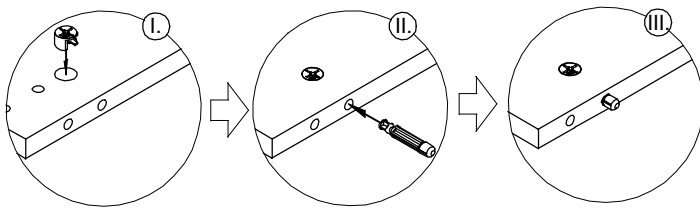
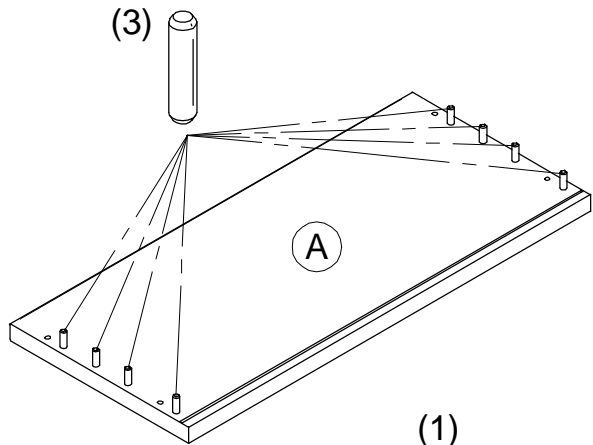
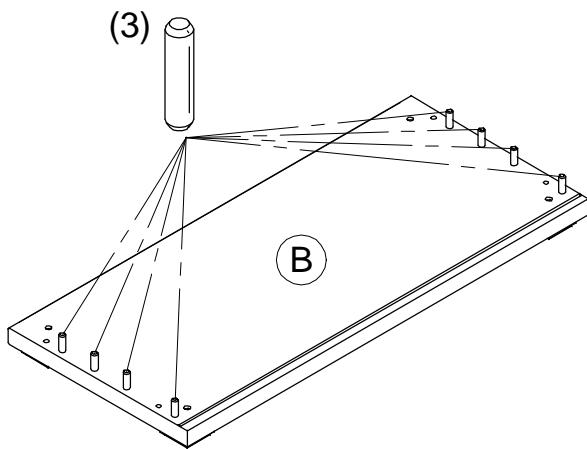
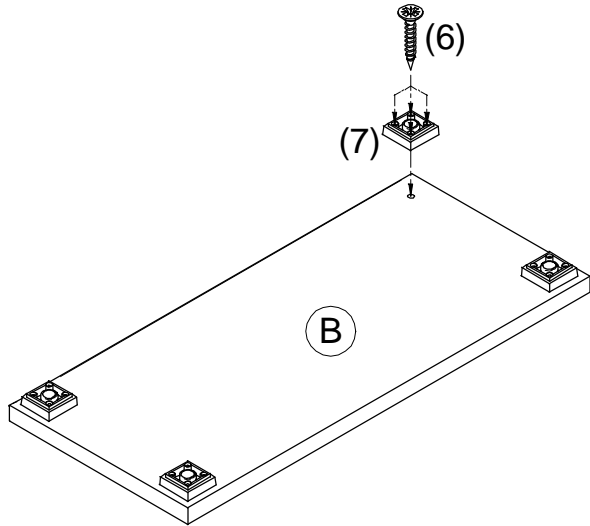
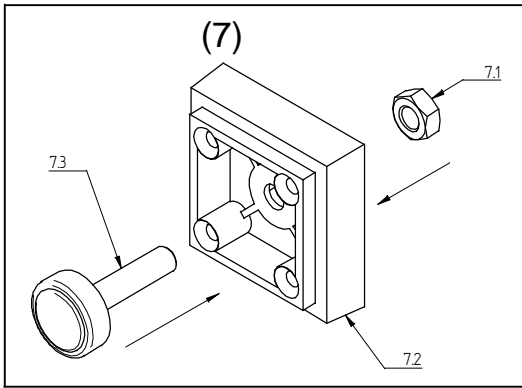


1		ø15 x8
2		ø8 x8
3		ø10x40 x16
4		x20
5		x14
6		ø4x35 x16
7		x4
8		x4
9	 A	x8
	 B	x4

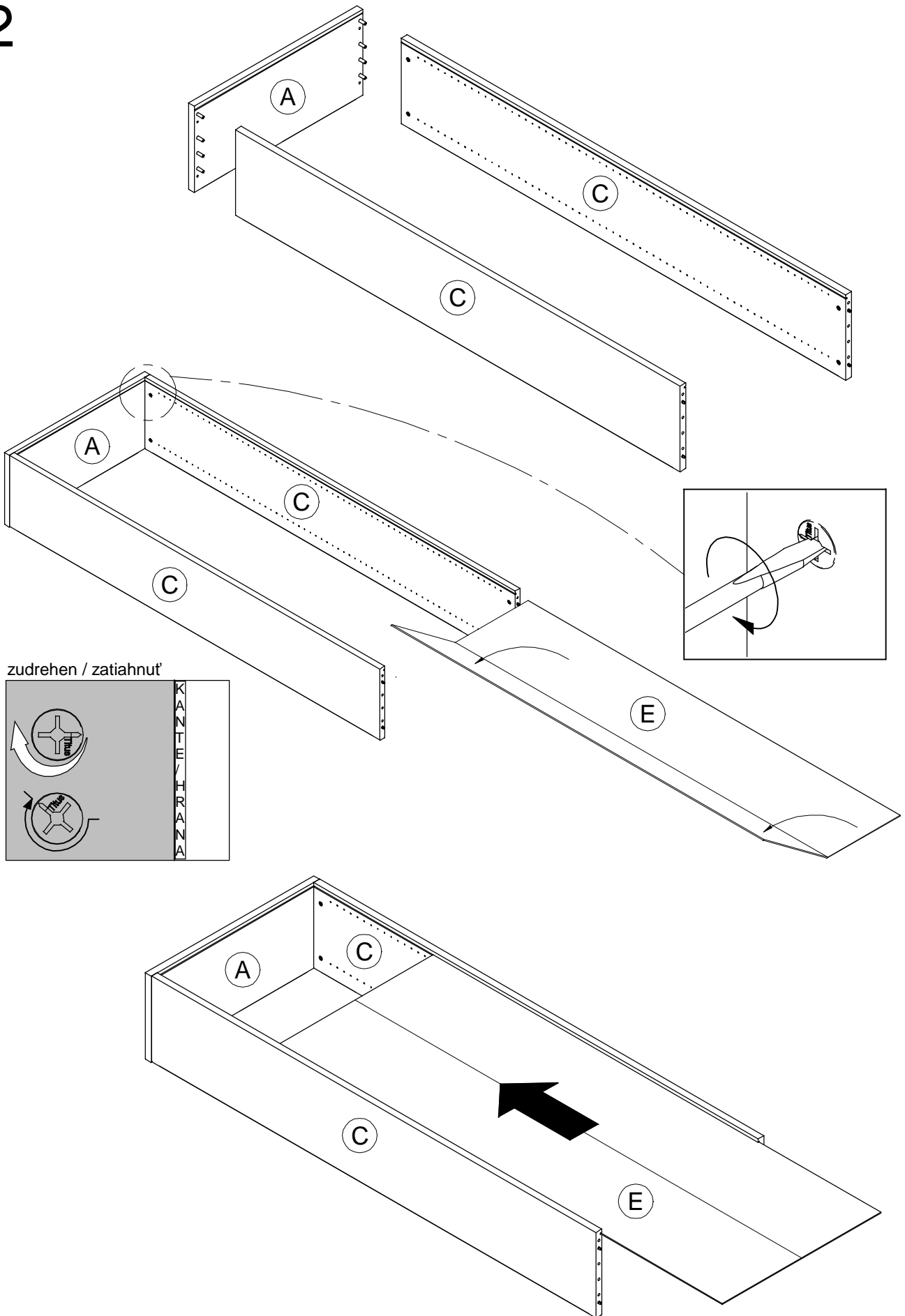
SERVISKARTE / SERVISNÁ KARTA



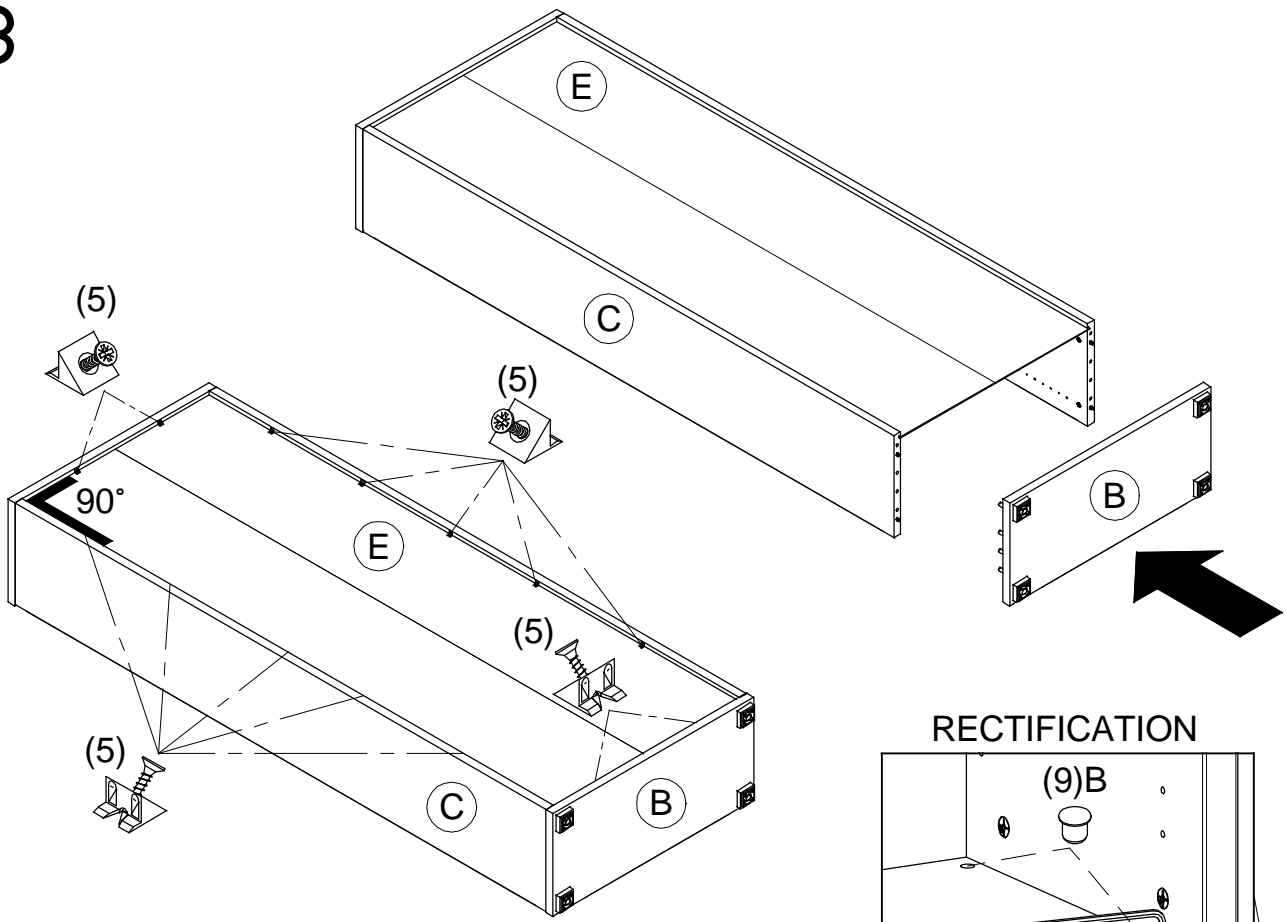
1



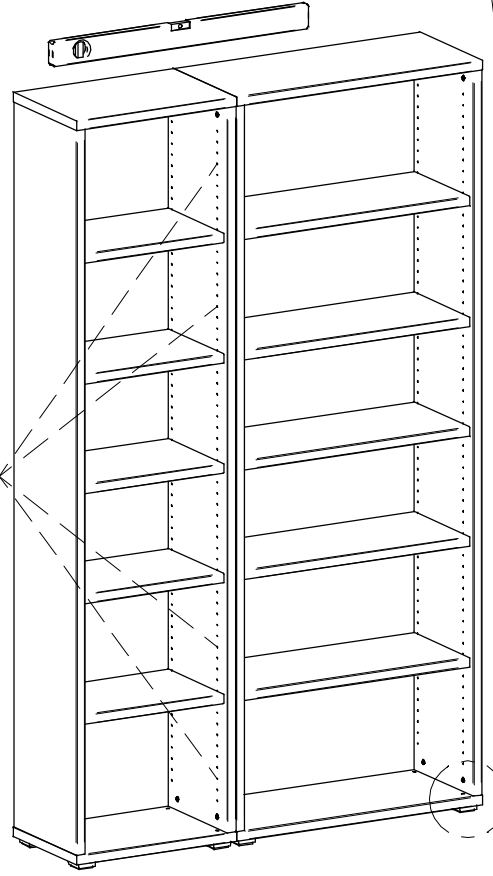
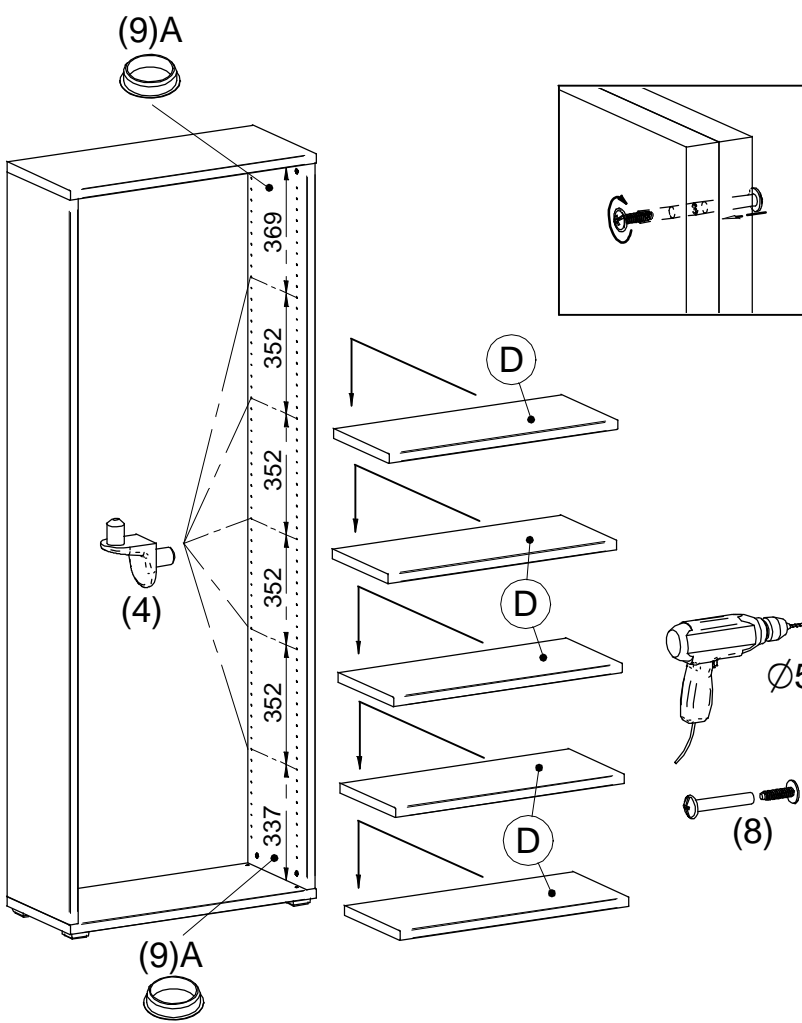
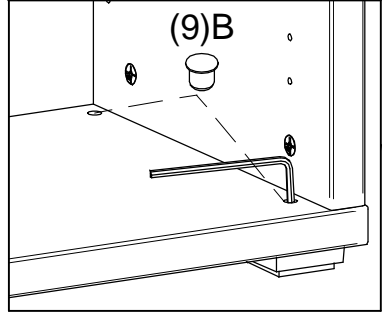
2



3

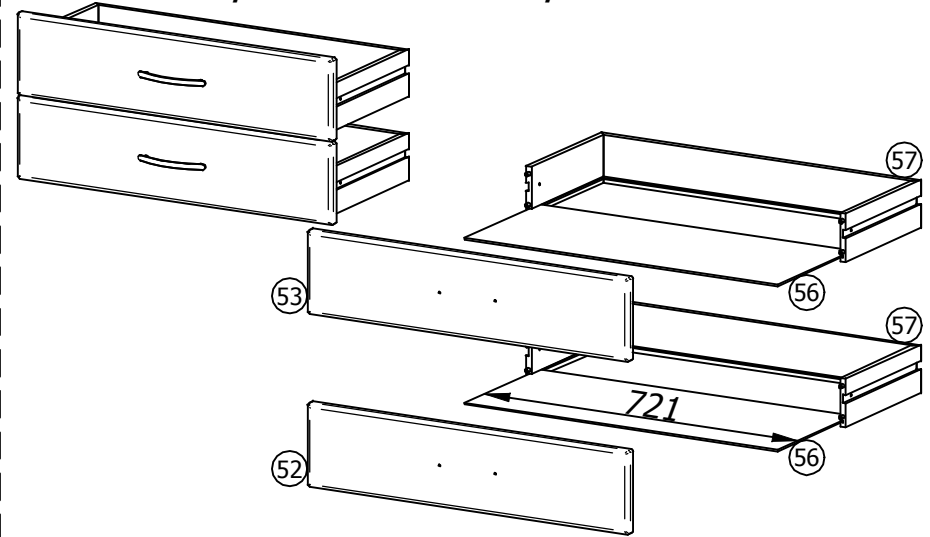
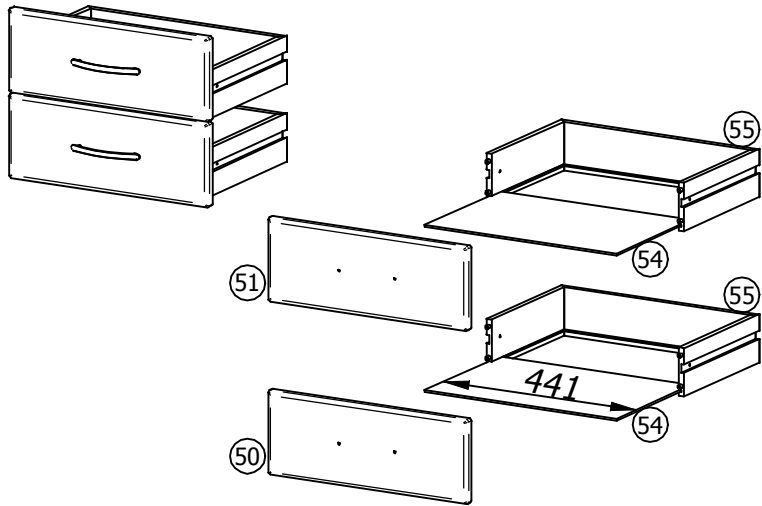


RECTIFICATION



P1 S 5X / POINT S 5X / POINT PLUS S 5X

P1 S 8X / POINT S 8X / POINT PLUS S 8X



<p>OBERSCHUBKASTEN (51, 53)</p> <p>UNTERSCHUBKASTEN (50, 52)</p>	<p>AA</p>	<p>x2</p> <p>N</p>	<p>x4</p>	<p>X</p> <p>S 5X-x4</p> <p>S 8X-6x</p>	
					<p>O</p> <p>∅6.3x11 x8</p>

